



**20in Mulching/Rear Bagging  
Lawn Mower**

**Model No. 10641—Serial No. 310000001 and Up**

**Parts Catalog**

# Ordering Replacement Parts

To order replacement parts, please supply the part number, the quantity, and the description of each part desired.

## Understanding Reference Numbers

Each identified part in an illustration has a reference number. The reference number for a part also appears in the parts list, along with other information about the part.

This catalog uses two special reference number formats, one to indicate parts in a service assembly and another to indicate the quantity of a given part in an illustration.

## Service Assembly Reference Numbers

Parts in service assemblies have reference numbers in the form a:b. The a represents the reference number of the entire service assembly and the b represents a sequential number unique to each part within the service assembly.

For example, a wheel assembly might be identified by reference number 6, the tire by 6:1, the valve by 6:2, and the wheel by 6:3. When you order the assembly identified by reference number 6, you receive all parts identified by reference numbers 6:1, 6:2, and 6:3. However, you may also order any part individually. Reference numbers of this type appear in illustration and in parts lists.

## Reference Numbers Indicating Quantity

In an illustration, if a reference number indicates more than one part, the reference number has the form nX y. The n represents the quantity of the part, the X is the multiplication symbol, and the y represents the reference number.

For example, in an illustration, the reference number 2X 37 means that two of the parts identified by reference number 37 are indicated.

# List of Abbreviations

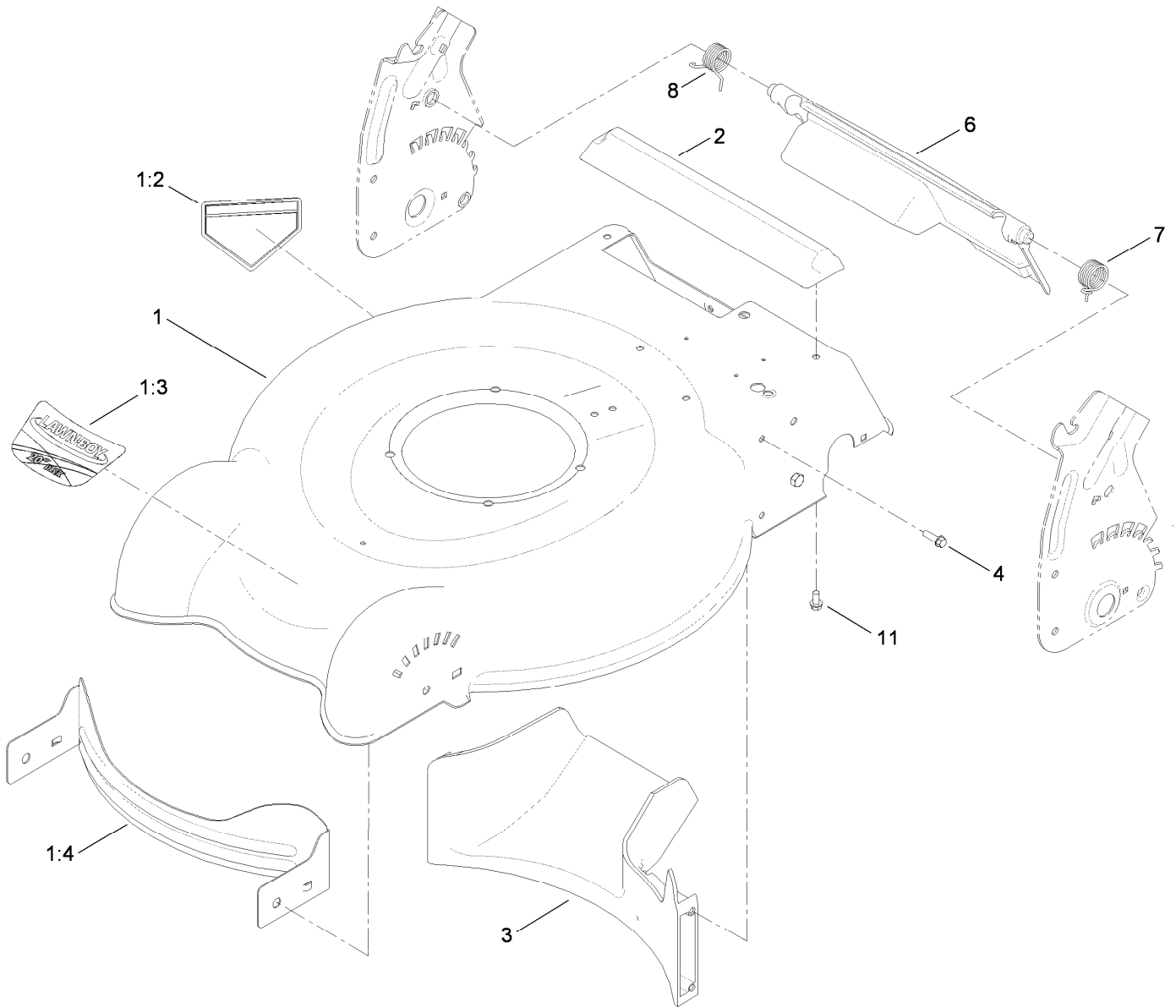
**AR:** as required  
**ASM:** assembly  
**BBC:** blade brake clutch  
**CARR:** carriage  
**CCW:** counter clock wise  
**CW:** clockwise  
**DEG:** degrees  
**ECM:** electronic control module  
**EXT:** external  
**FH:** flat head  
**GA:** gauge  
**HD:** heavy-duty  
**HF:** hex flange  
**HH:** hex head  
**HHF:** hex head flange  
**HHFTF:** hex head flange thread forming  
**HJ:** hex jam  
**HLH:** hex lag head  
**HOC:** height-of-cut

**HSBH:** hex socket button head  
**HSFH:** hex socket flat head  
**HSH:** hex socket head  
**HWH:** hex washer head  
**HWHTF:** hex washer head thread forming  
**HYD:** hydraulic  
**LH:** left hand  
**NI:** nylon insert  
**NPTF:** national pipe thread fine  
**PFH:** phillips flat head  
**PPH:** phillips pan head  
**PPHTF:** phillips pan head thread forming  
**PRH:** phillips round head  
**PTH:** phillips truss head  
**PTO:** power-take-off  
**RH:** right hand  
**ROPS:** roll-over protection system  
**RRB:** rear roller brush

**SFH:** slotted fillister head  
**SHH:** slotted hex head  
**SHWH:** slotted hex washer head  
**SPH:** slotted pan head  
**SQH:** square head  
**SRH:** slotted round head  
**STD:** standard  
**TAP:** self tapping  
**TTH:** torx truss head

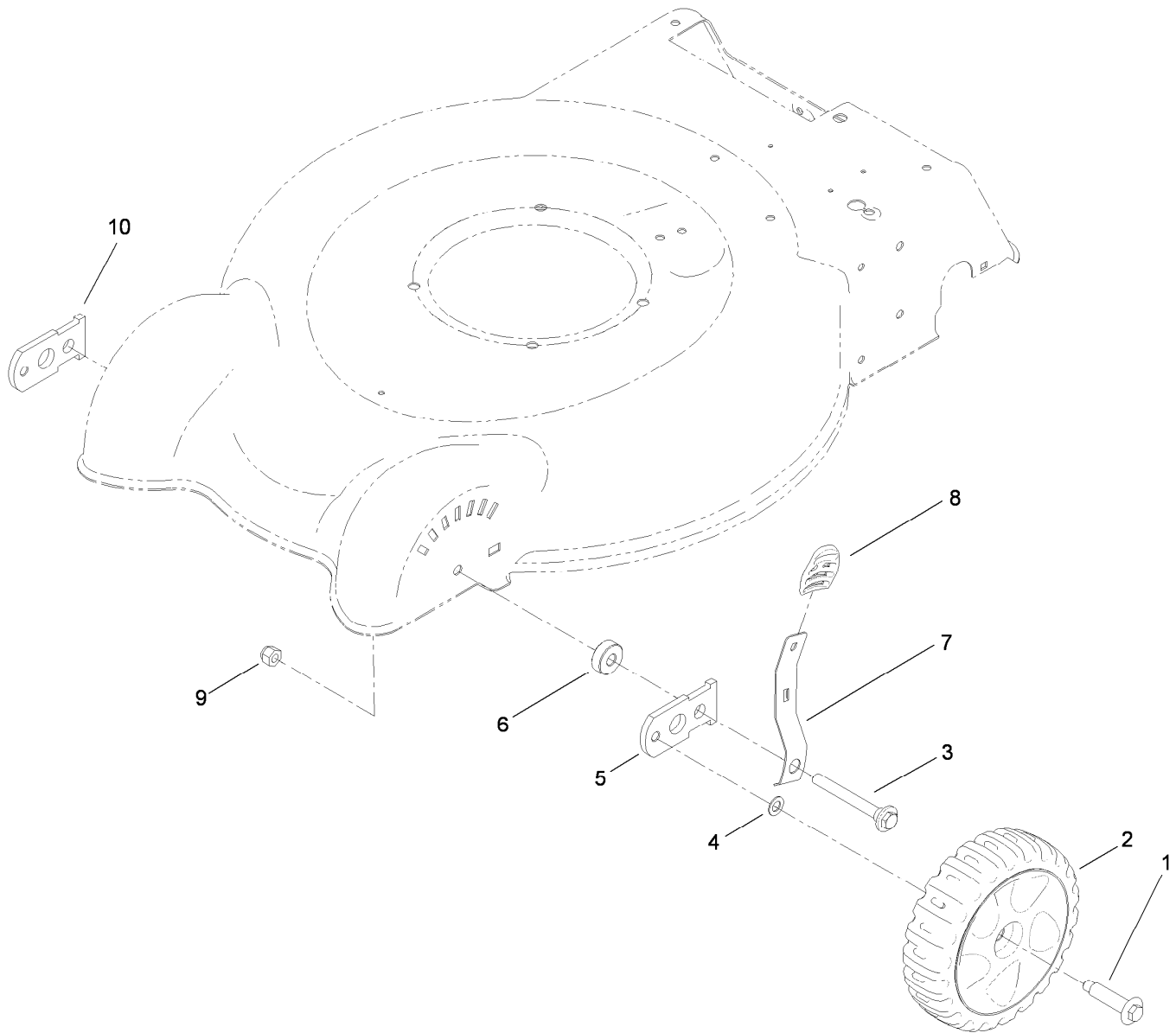
# Contents

- Housing Assembly ..... 4
- Front Wheel and Height-of-Cut Assembly ..... 5
- Transmission, Rear Wheel and Height-of-Cut Assembly ..... 6
- Engine and Blade Assembly ..... 7
- Handle Assembly ..... 8
- Rear Bag Assembly ..... 9
- Attachments and Accessories ..... 10



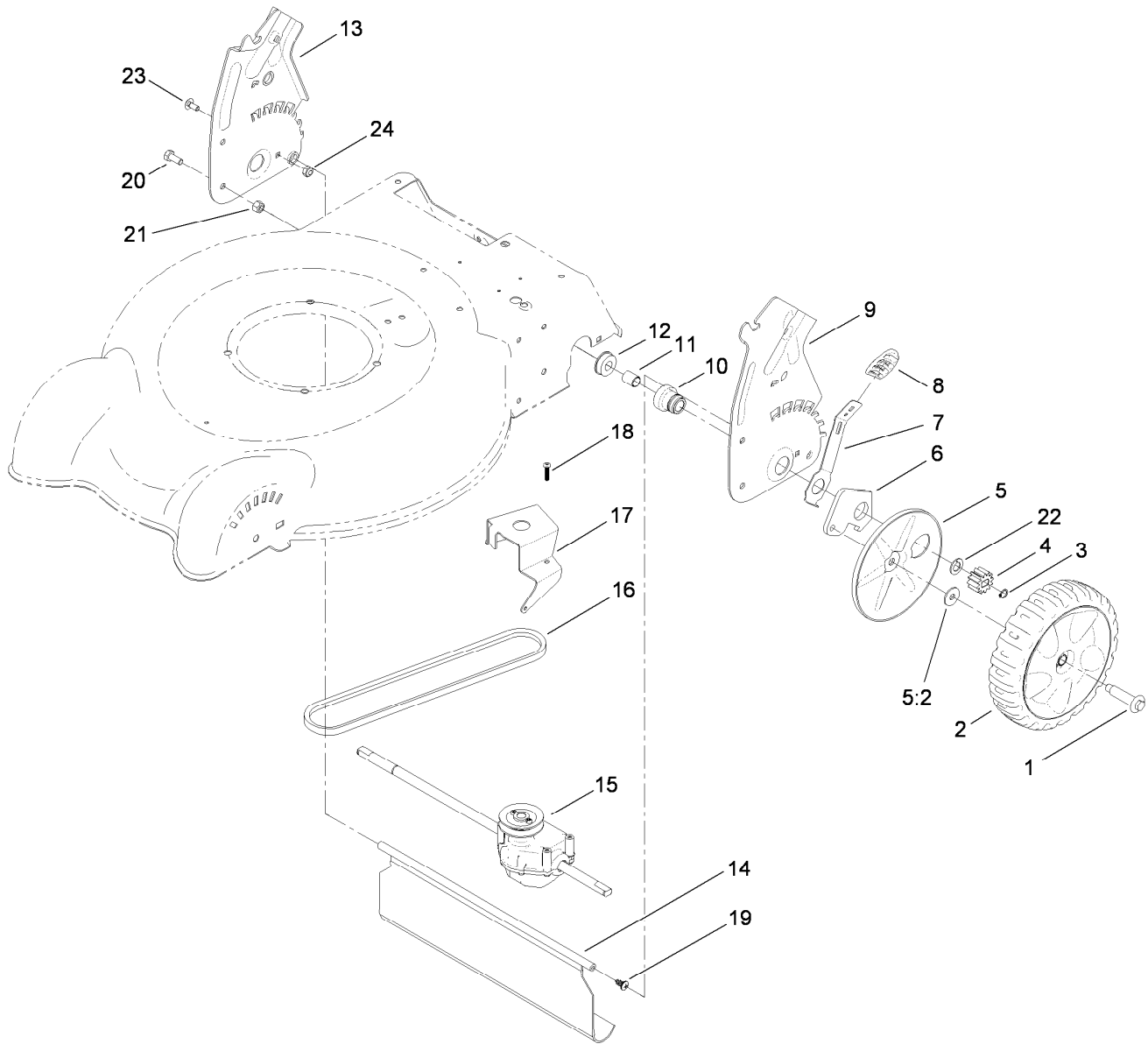
## Housing Assembly

<i>Ref.</i>	<i>Part Number</i>	<i>Qty.</i>	<i>Description</i>
1	117-4153	1	Housing ASM
1:2	94-8072	1	Decal-Danger
1:3	117-4131	1	Decal
1:4	112-8824-02	1	Baffle-Front
2	112-8845	1	Chute-Rear
3	112-8821	1	Baffle-Rear
4	46-8091	5	Screw-HWH
6	117-5923	1	Rear Deflector ASM
7	112-8848	1	Spring-Torsion, LH
8	112-8849	1	Spring-Torsion, RH
11	46-8093	3	Screw-Plastite



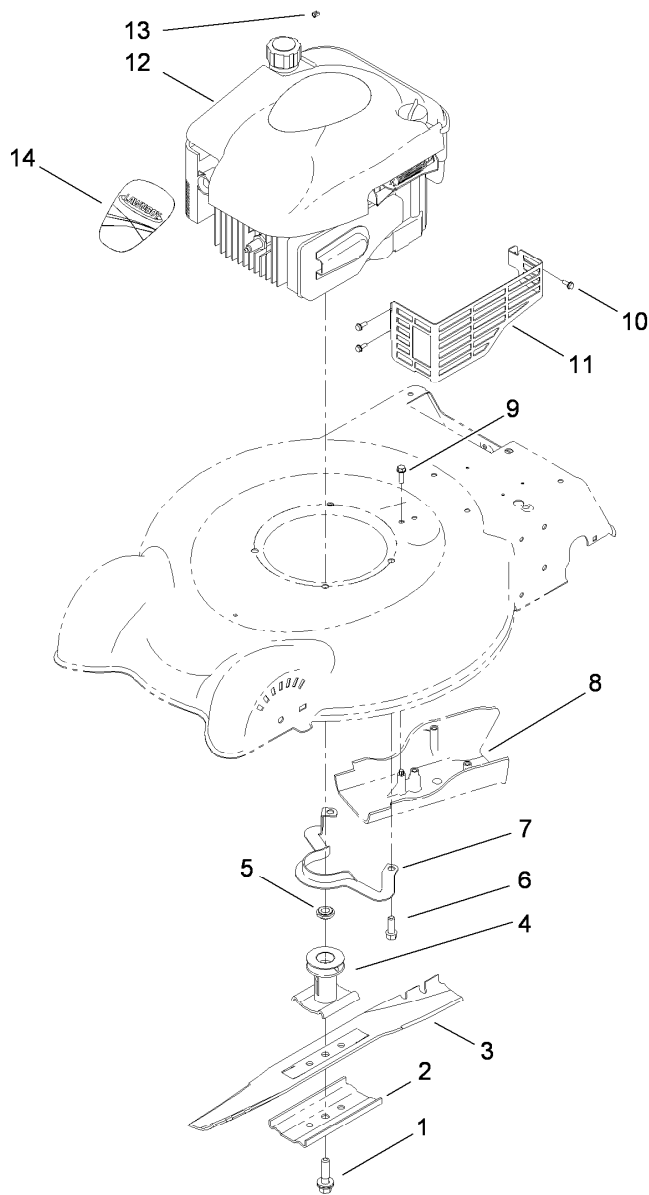
## Front Wheel and Height-of-Cut Assembly

Ref.	Part Number	Qty.	Description
1	614650	2	Bolt-Shoulder
2	117-5964	2	7 Inch Wheel And Tire ASM
3	614672	2	Bolt-Shoulder
4	40-1940	2	Washer
5	107-3877	1	Arm-Pivot, RH
6	117-5997	2	Spacer-Arm, Pivot
7	112-8828	2	Arm-Spring, Front
8	105-3042	2	Knob-Lever, HOC
9	3296-39	2	Nut-Lock, NI
10	108-1044	1	Arm-Pivot, LH



## Transmission, Rear Wheel and Height-of-Cut Assembly

Ref.	Part Number	Qty.	Description	Ref.	Part Number	Qty.	Description
1	614650	2	Bolt-Shoulder	13	112-8823-03	1	Plate-HOC, RH
2	119-0321	2	8 Inch Wheel Gear ASM	14	112-8768	1	Shield-Trailing
3	32151-61	2	Ring-Retaining	15	112-8831	1	Transmission ASM
4	115-4668	2	Gear-Pinion, 12T	16	110-9429	1	V-Belt
5	117-4197	2	Wheel Cover ASM	17	114-7977-03	1	Bracket-Transmission
5:2	614426	1	Washer-Stepped	18	108-7476	3	Screw-Plastite
6	108-9781	2	Arm-Pivot, Rear	19	117-1092	2	Screw-PTH
7	108-9780	2	Arm-Spring	20	322-3	4	Screw-HH
8	105-3042	2	Knob-Lever, HOC	21	3296-29	4	Nut-Lock, NI
9	112-8822-03	1	Plate-HOC, LH	22	110-7191	2	Washer-Thrust
10	108-9779	2	Retainer-Bushing, HOC	23	3229-11	2	Screw-CARR
11	108-9782	2	Bushing-Sleeve	24	3296-16	2	Nut-Lock, NI
12	104-8699	2	Bearing-Ball				

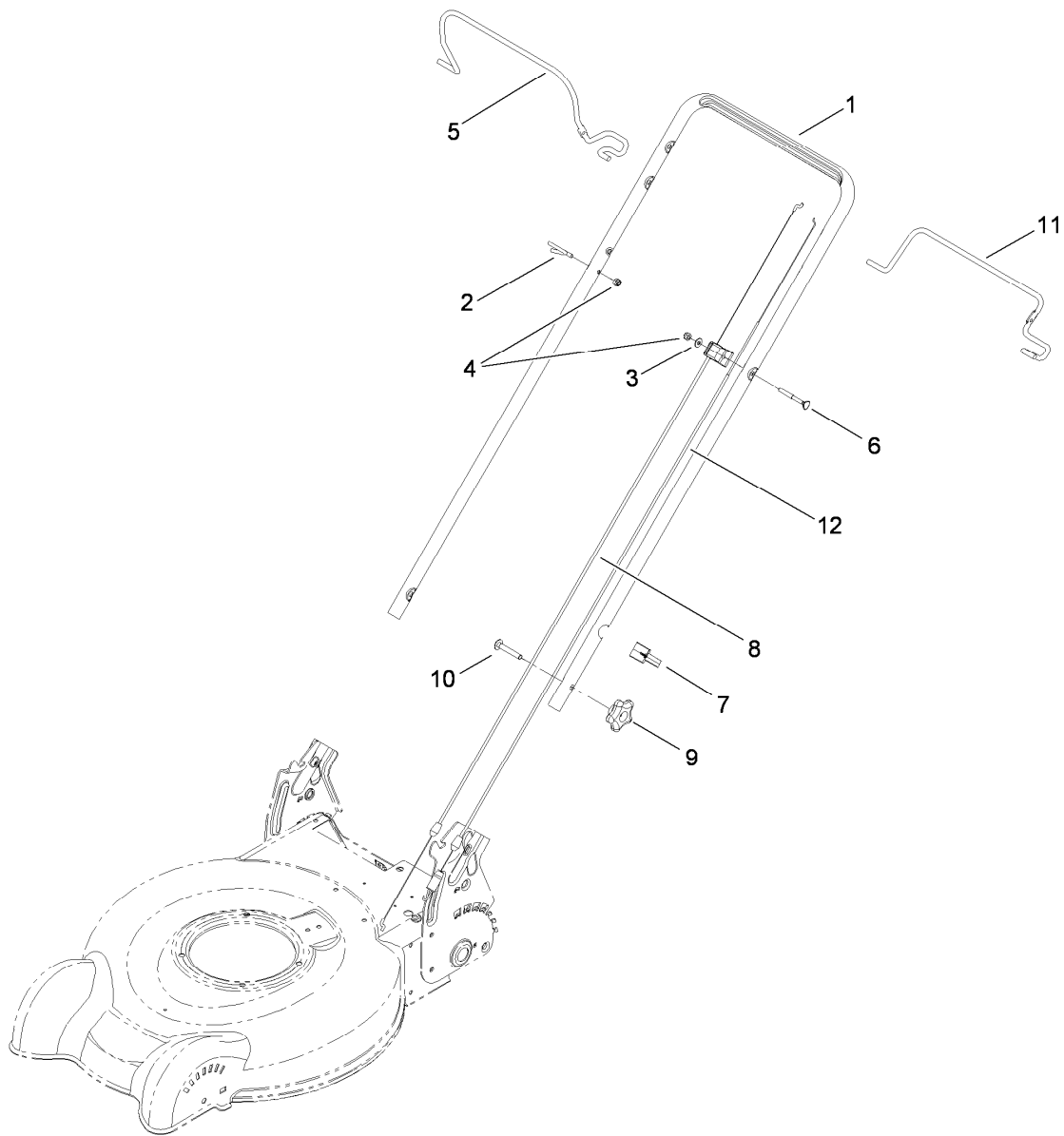


## Engine and Blade Assembly

Ref.	Part Number	Qty.	Description
1	105-8579	1	Bolt-Blade
2	108-3766-03	1	Support-Blade
3	112-8841-03	1	Blade-20 Inch
4	106-3987	1	Blade Driver ASM
5	106-3999	1	Spacer-Driver
6	95-1726	3	Screw-Taptite
7	105-3030-03	1	Guide-Belt
8	112-8829	1	Cover-Belt
9	46-8091	3	Screw-HWH
10	32144-1	3	Screw-Taptite
11	104-7577-03	1	Shield-Muffler
12		1	Engine- Briggs, 126T02-3205-B1 ● ■
13	2210-316	1	Stop-Rope
14	119-3802	1	Decal-Shroud

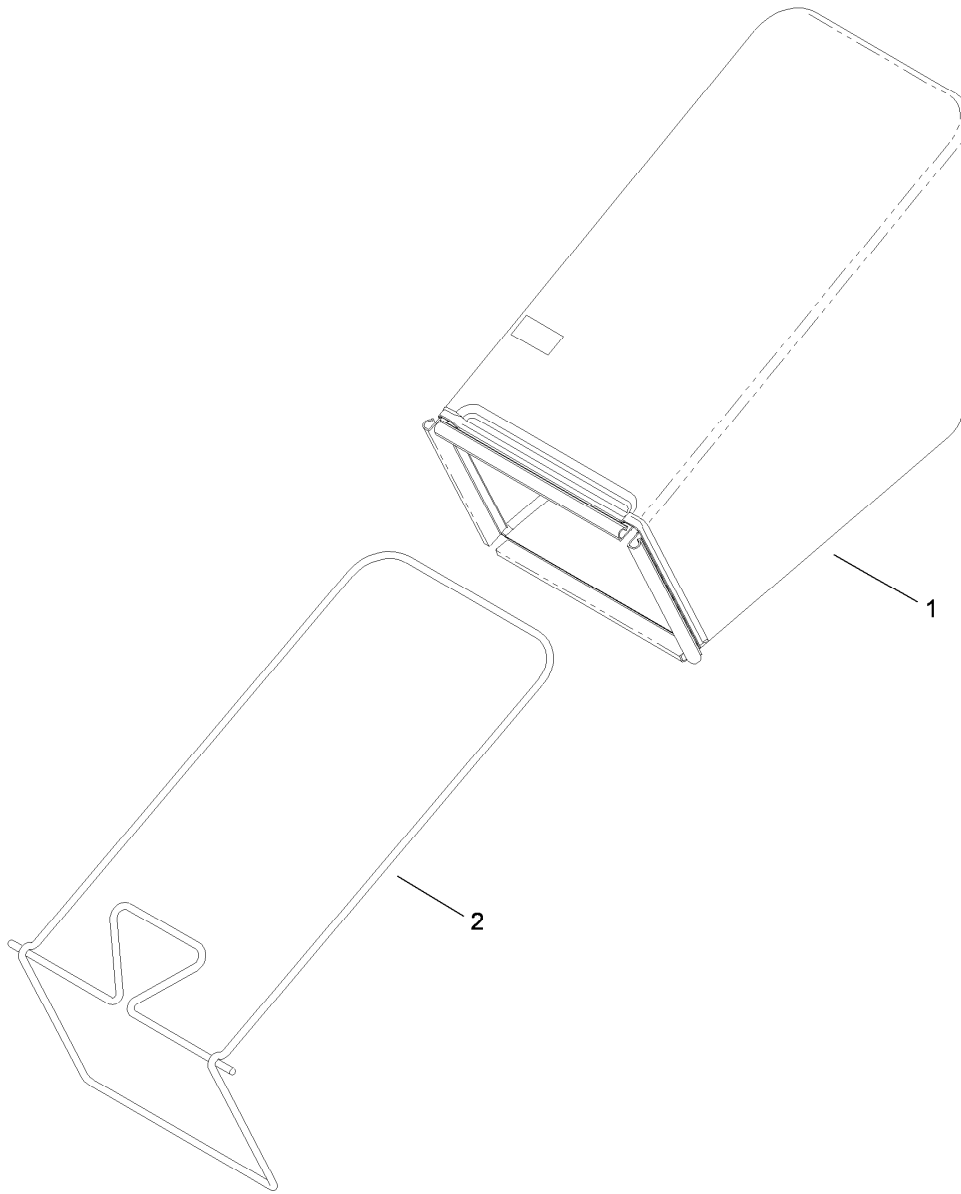
● Not serviced separately

■ Obtain parts from [www.briggsandstratton.com](http://www.briggsandstratton.com)



## Handle Assembly

<b>Ref.</b>	<b>Part Number</b>	<b>Qty.</b>	<b>Description</b>
1	112-8833-05	1	Handle
2	86-9671	1	Guide-Rope
3	3256-1	1	Washer-Flat
4	3296-73	2	Nut-Lock, NI
5	112-8834-02	1	Bail-Brake, 2-Bail Flat
6	92-2270	1	Screw-Handle
7	114-7988	1	Guide-Cable
8	112-8818	1	Cable-Brake
9	117-5976	2	Knob-Handle, Locking
10	3230-6	2	Screw-CARR
11	112-8835-02	1	Bail-Traction, 2-Bail Flat
12	112-8817	1	Cable-Traction



## Rear Bag Assembly

<i>Ref.</i>	<i>Part Number</i>	<i>Qty.</i>	<i>Description</i>
1	112-8836	1	Grass Bag ASM
2	112-8825-03	1	Frame-Bag

# Attachments and Accessories

## For 10641 20in Mulching/Rear Bagging Lawn Mower

<b>Product Name</b>	<b>Model/Part</b>
Loose Parts Kit .....	117-5929
Replacement Bag, 2009 and After 20in Steel Deck Lawnmowers.....	89701
Replacement Bag and Frame Kit, 2009 and After 20in Steel Deck Lawnmowers .....	89702
20in Replacement Blade.....	89963
Rear-Discharge Deflector, 2009 and After 20in Steel Deck Mower .....	89964

**Notes:**

