



**20in Mulching/Rear Bagging
Lawn Mower**
Model No. 10641—Serial No. 290000001 and Up

Parts Catalog

Ordering Replacement Parts

To order replacement parts, please supply the part number, the quantity, and the description of each part desired.

Understanding Reference Numbers

Each identified part in an illustration has a reference number. The reference number for a part also appears in the parts list, along with other information about the part.

This catalog uses two special reference number formats, one to indicate parts in a service assembly and another to indicate the quantity of a given part in an illustration.

Service Assembly Reference Numbers

Parts in service assemblies have reference numbers in the form a:b. The a represents the reference number of the entire service assembly and the b represents a sequential number unique to each part within the service assembly.

For example, a wheel assembly might be identified by reference number 6, the tire by 6:1, the valve by 6:2, and the wheel by 6:3. When you order the assembly identified by reference number 6, you receive all parts identified by reference numbers 6:1, 6:2, and 6:3. However, you may also order any part individually. Reference numbers of this type appear in illustration and in parts lists.

Reference Numbers Indicating Quantity

In an illustration, if a reference number indicates more than one part, the reference number has the form nX y. The n represents the quantity of the part, the X is the multiplication symbol, and the y represents the reference number.

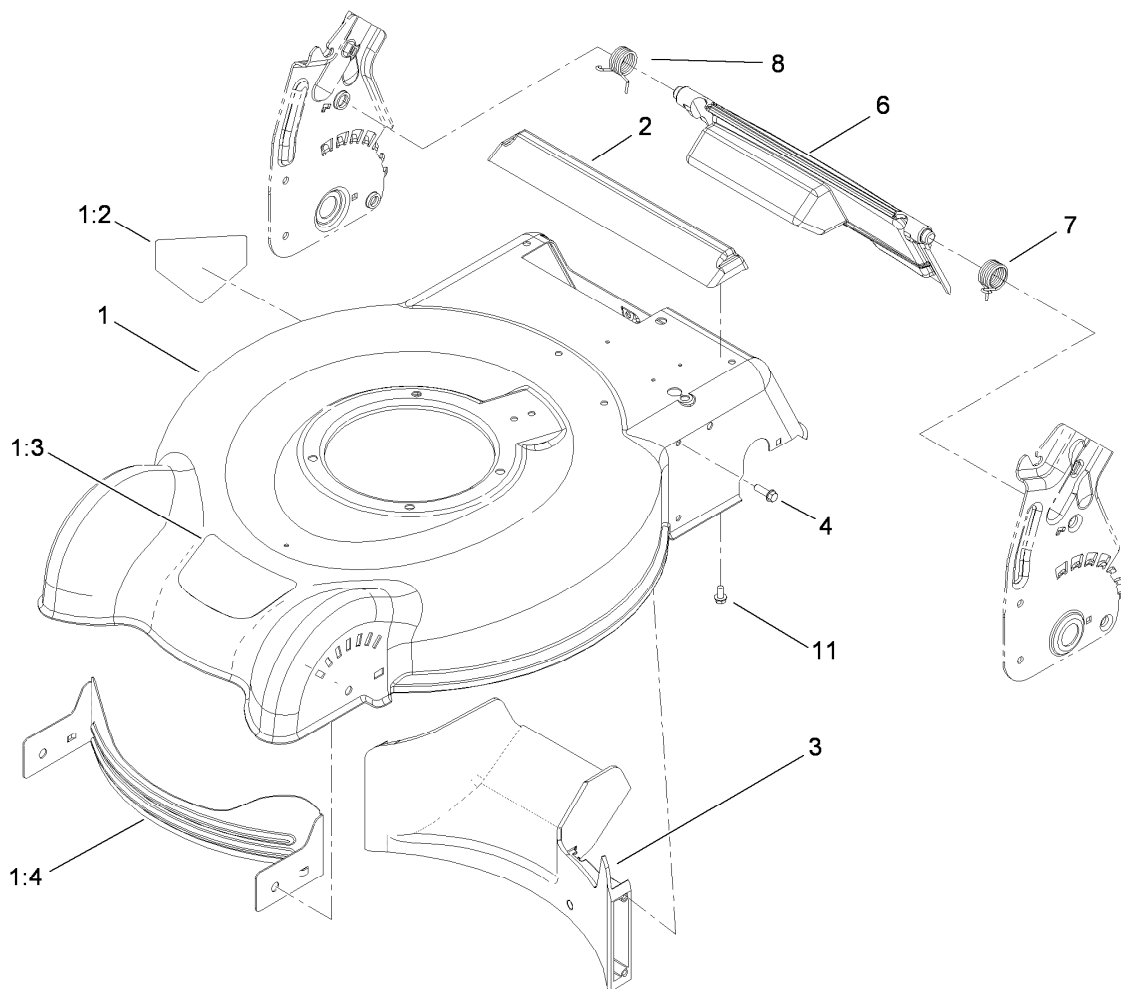
For example, in an illustration, the reference number 2X 37 means that two of the parts identified by reference number 37 are indicated.

List of Abbreviations

AR: as required	HLH: hex lag head	PTO: power-take-off
ASM: assembly	HOC: height-of-cut	RH: right hand
BBC: blade brake clutch	HSBH: hex socket button head	ROPS: roll-over protection system
CARR: carriage	HSFH: hex socket flat head	SFH: slotted fillister head
CCW: counter clock wise	HSH: hex socket head	SHH: slotted hex head
CW: clockwise	HWH: hex washer head	SHWH: slotted hex washer head
DEG: degrees	HWHTF: hex washer head thread forming	SPH: slotted pan head
ECM: electronic control module	HYD: hydraulic	SQH: square head
EXT: external	LH: left hand	SRH: slotted round head
FH: flat head	NI: nylon insert	STD: standard
GA: gauge	NPTF: national pipe thread fine	TAP: self tapping
HD: heavy-duty	PFH: phillips flat head	TTH: torx truss head
HF: hex flange	PPH: phillips pan head	
HH: hex head	PPHTF: phillips pan head thread forming	
HHF: hex head flange	PRH: phillips round head	
HHFTF: hex head flange thread forming	PTH: phillips truss head	
HJ: hex jam		

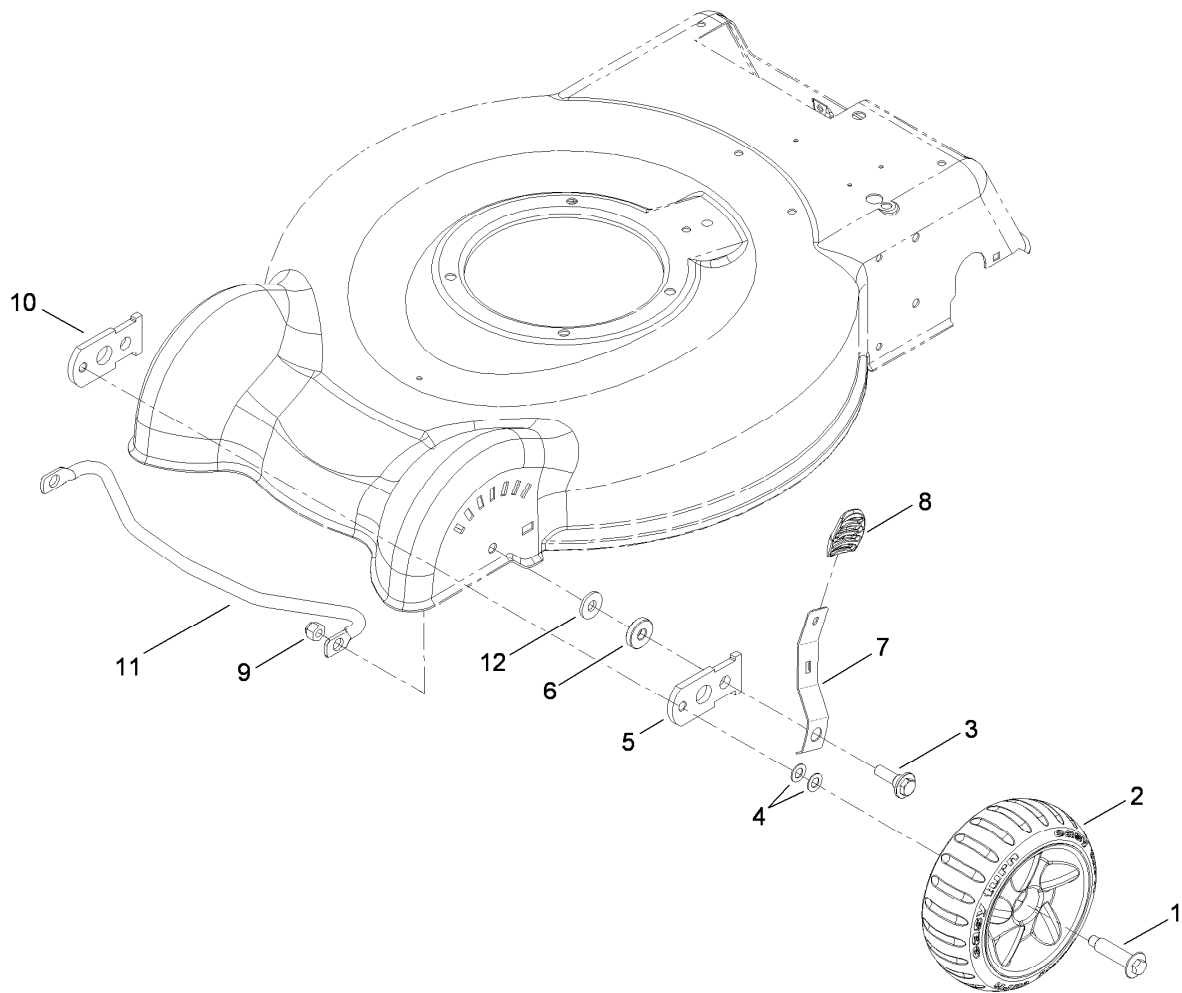
Contents

Housing Assembly	4
Front Axle Assembly	5
Rear Axle and Transmission Assembly	6
Engine and Blade Assembly	7
Handle and Control Assembly	8
Rear Bag Assembly	9
Cylinder and Cylinder Head Assembly Briggs and Stratton 124T02-0205-B1	10
Crankshaft, Piston, Ring and Connecting Rod Assembly Briggs and Stratton 124T02-0205-B1	11
Crankcase Cover and Sump Assembly Briggs and Stratton 124T02-0205-B1	12
Carburetor Assembly Briggs and Stratton 124T02-0205-B1	13
Air Cleaner Assembly Briggs and Stratton 124T02-0205-B1	14
Governor and Controls Assembly Briggs and Stratton 124T02-0205-B1	15
Muffler and Fuel Tank Assembly Briggs and Stratton 124T02-0205-B1	16
Blower Housing, Flywheel and Ignition Assembly Briggs and Stratton 124T02-0205-B1	17
Rewind Starter Assembly Briggs and Stratton 124T02-0205-B1	18
Engine and Valve Gaskets and Carburetor Overhaul Kit Briggs and Stratton 124T02-0205-B1	19
Attachments and Accessories	20



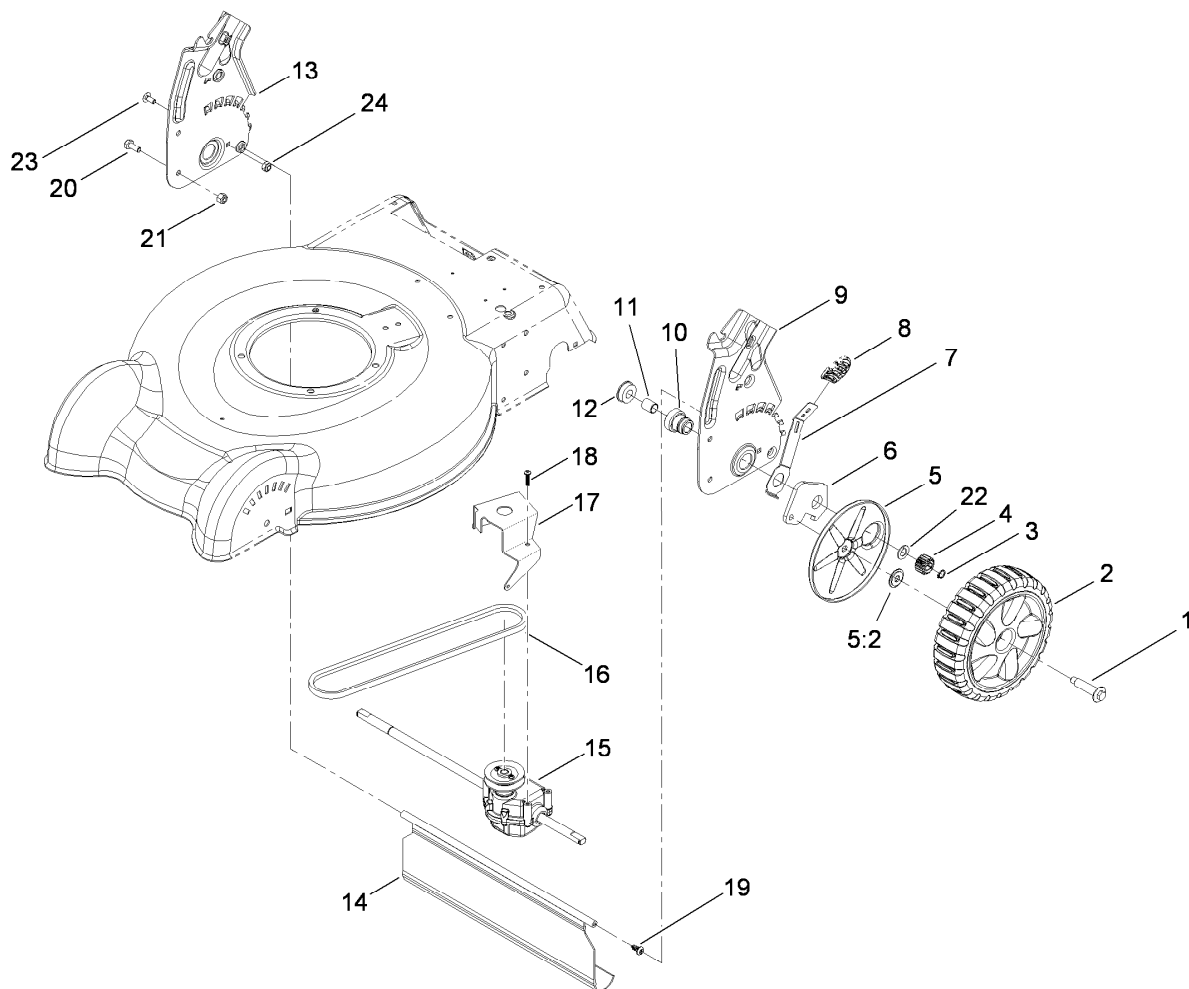
Housing Assembly

<i>Ref.</i>	<i>Part Number</i>	<i>Qty.</i>	<i>Description</i>
1	117-4153	1	Housing ASM
1:2	94-8072	1	Decal-Danger
1:3	117-4131	1	Decal
1:4	112-8824-02	1	Baffle-Front
2	112-8845	1	Chute-Rear
3	112-8821	1	Baffle-Rear
4	46-8091	5	Screw-HWH
6	117-5923	1	Rear Deflector ASM
7	112-8848	1	Spring-Torsion, LH
8	112-8849	1	Spring-Torsion, RH
11	46-8093	3	Screw-Plastite



Front Axle Assembly

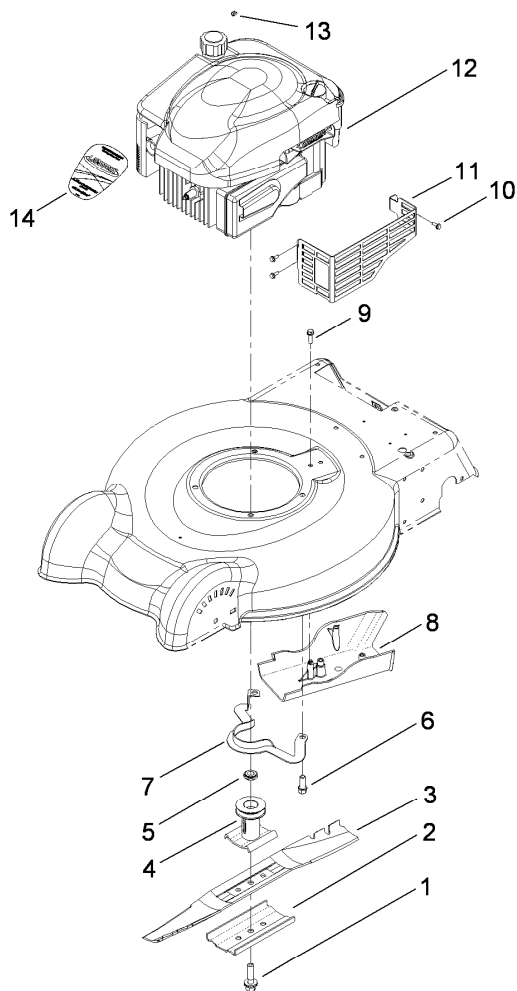
Ref.	Part Number	Qty.	Description
1	614650	2	Bolt-Shoulder
2	112-1548	2	7 Inch Front Wheel ASM
3	614672	2	Bolt-Shoulder
4	40-1940	4	Washer
5	107-3877	1	Arm-Pivot, RH
6	92-4890	2	Washer
7	112-8828	2	Arm-Spring, Front
8	105-3042	2	Knob-Lever, HOC
9	3296-39	2	Nut-Lock, NI
10	108-1044	1	Arm-Pivot, LH
11	117-4161	1	Brace-Front
12	80-6990	2	Washer-Hardened



Rear Axle and Transmission Assembly

<i>Ref.</i>	<i>Part Number</i>	<i>Qty.</i>	<i>Description</i>
1	614650	2	Bolt-Shoulder
2	107-3906	2	Rear Wheel ASM
3	32151-61	2	Ring-Retaining
4	110-9417	2	Pinion
5	110-1793	2	Wheel Cover ASM
5:2	614426	1	Washer-Stepped
6	108-9781	2	Arm-Pivot, Rear
7	108-9780	2	Arm-Spring
8	105-3042	2	Knob-Lever, HOC
9	112-8822-03	1	Plate-HOC, LH
10	108-9779	2	Retainer-Bushing, HOC
11	108-9782	2	Bushing-Sleeve
12	104-8699	2	Bearing-Ball

<i>Ref.</i>	<i>Part Number</i>	<i>Qty.</i>	<i>Description</i>
13	112-8823-03	1	Plate-HOC, RH
14	112-8768	1	Shield-Trailing
15	112-8831	1	Transmission ASM
16	110-9429	1	V-Belt
17	114-7977-03	1	Bracket-Transmission
18	108-7476	3	Screw-Plastite
19	117-1092	2	Screw-PTH
20	322-3	4	Screw-HH
21	3296-29	4	Nut-Lock, NI
22	110-7191	2	Washer-Thrust
23	3229-11	2	Screw-CARR
24	3296-16	2	Nut-Lock, NI

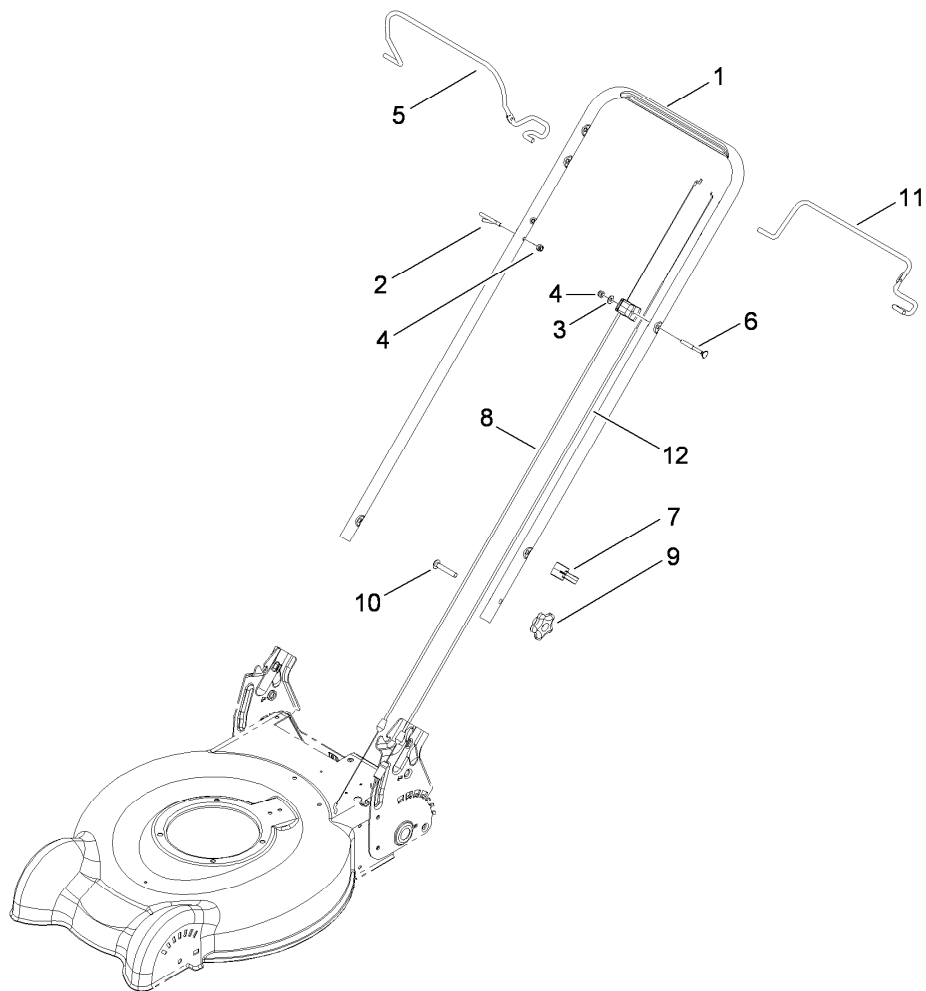


Engine and Blade Assembly

<i>Ref.</i>	<i>Part Number</i>	<i>Qty.</i>	<i>Description</i>
1	105-8579	1	Bolt-Blade
2	108-3766-03	1	Support-Blade
3	112-8841-03	1	Blade-20 Inch
4	106-3987	1	Blade Driver ASM
5	106-3999	1	Spacer-Driver
6	95-1726	3	Screw-Taptite
7	105-3030-03	1	Guide-Belt
8	112-8829	1	Cover-Belt
9	46-8091	3	Screw-HWH
10	32144-1	3	Screw-Taptite
11	104-7577-03	1	Shield-Muffler
12		1	Engine-Quantum Briggs, 124T02-0205-B1 ● ■
13	2210-316	1	Stop-Rope
14	112-8844	1	Decal

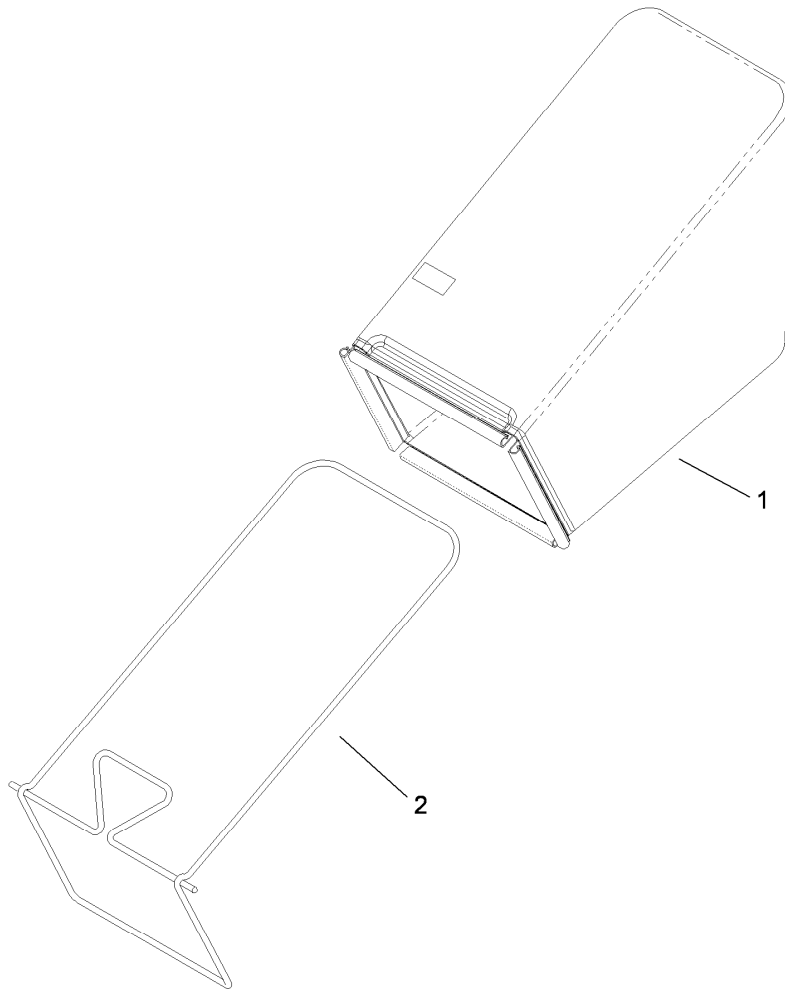
● Not serviced separately

■ Obtain parts from www.briggsandstratton.com



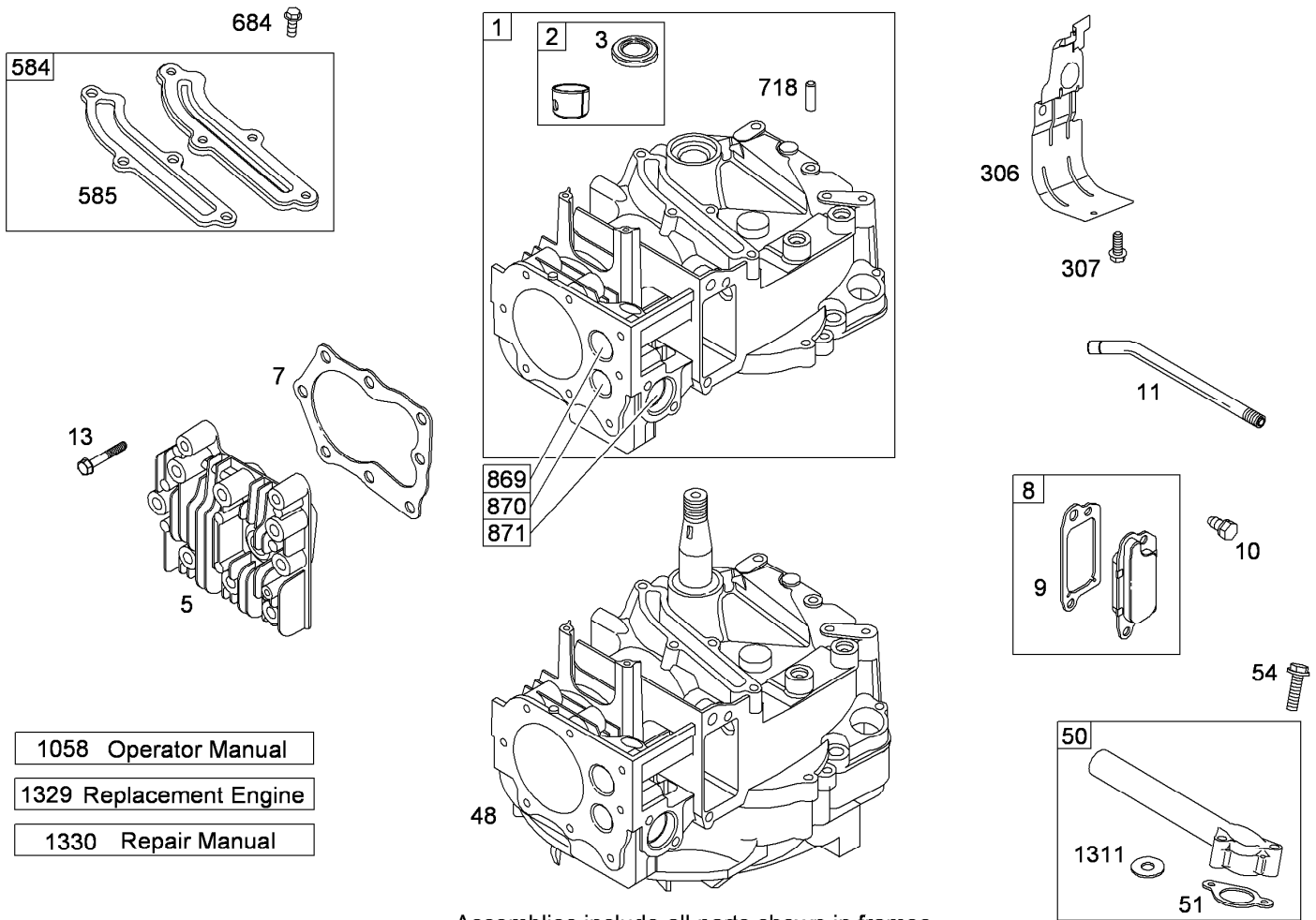
Handle and Control Assembly

<i>Ref.</i>	<i>Part Number</i>	<i>Qty.</i>	<i>Description</i>
1	112-8833-05	1	Handle
2	86-9671	1	Guide-Rope
3	3256-1	1	Washer-Flat
4	3296-73	2	Nut-Lock, NI
5	112-8834-02	1	Bail-Brake, 2-Bail Flat
6	92-2270	1	Screw-Handle
7	106-6805	1	Guide-Cable
8	112-8818	1	Cable-Brake
9	108-8162	2	Knob-Locking
10	3230-6	2	Screw-CARR
11	112-8835-02	1	Bail-Traction, 2-Bail Flat
12	112-8817	1	Cable-Traction



Rear Bag Assembly

<i>Ref.</i>	<i>Part Number</i>	<i>Qty.</i>	<i>Description</i>
1	112-8836	1	Grass Bag ASM
2	112-8825-03	1	Frame-Bag



Assemblies include all parts shown in frames

Cylinder and Cylinder Head Assembly Briggs and Stratton 124T02-0205-B1

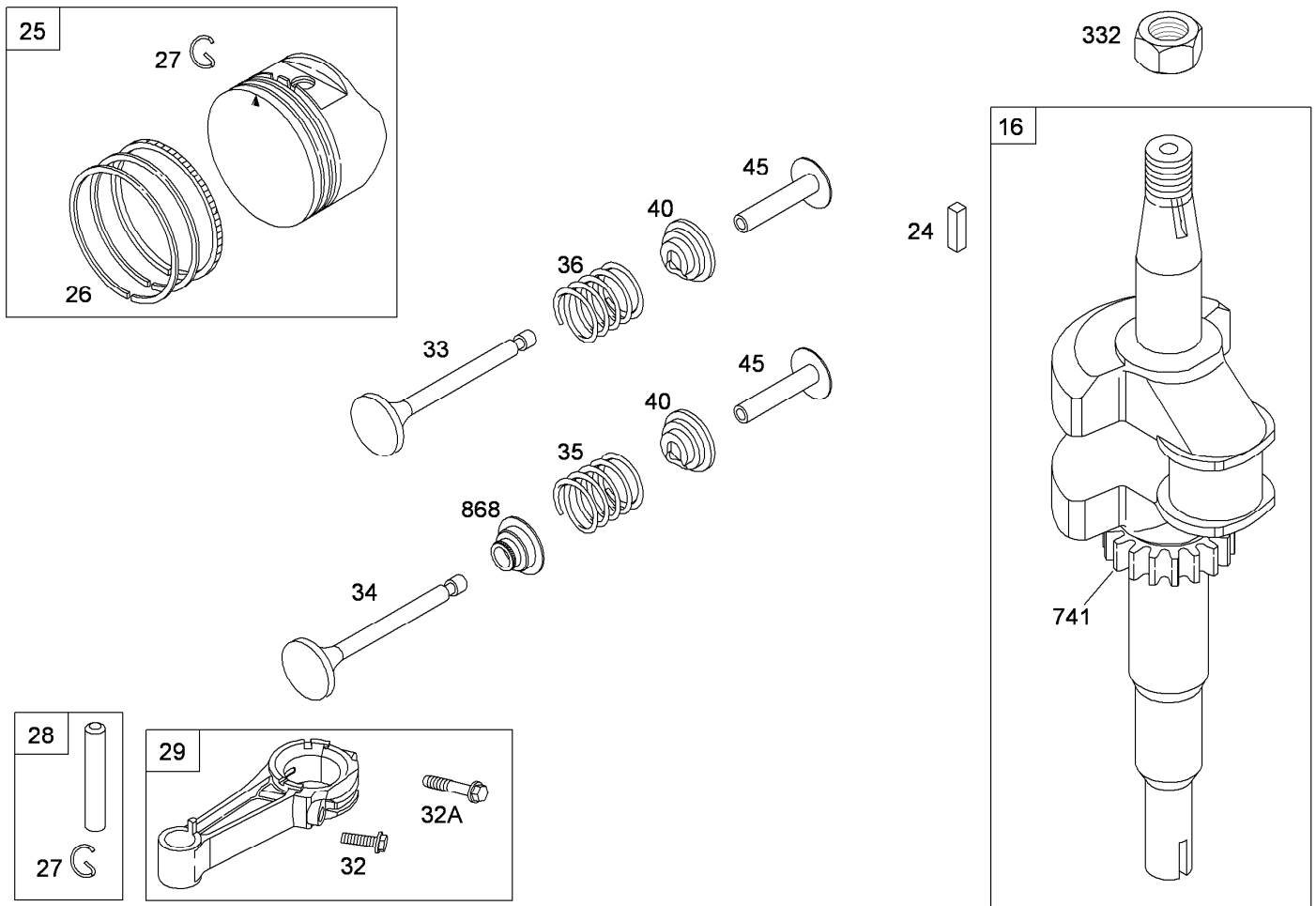
Ref.	Part Number	Qty.	Description	Ref.	Part Number	Qty.	Description
1	697322	1	Cylinder ASM ■	307	690345	1	Screw (Cylinder Shield) ■
2	399269	1	Bushing And Seal Kit ■	584	697734	1	Cover-Passage, Breather ■
3	299819s	1	Seal-Oil (Magneto Side) ■▲	585	691879	1	Gasket-Passage, Breather ■▲
5	691160	1	Head-Cylinder ■	684	690345	1	Screw (Breather Passage Cover) ■
7	692249	1	Gasket-Head, Cylinder ■▲◆	718	690959	1	Pin-Locating ■
8	695250	1	Breather Asm ■	869	691155	1	Seat-Valve (Intake) ■
9	699472	1	Gasket-Breather ■▲◆	870	690380	1	Seat-Valve (Exhaust) ■
10	691125	1	Screw (Breather Asm) ■	871	262001	1	Bushing-Guide (Exhaust) ■
11	691781	1	Tube-Breather ■	871	63709	1	Bushing-Guide (Intake) ■
13	690912	1	Screw (Cylinder Head) ■	1058	277039	1	Operator Manual ■
48	792742	1	Block-Short ■	1311	690390	1	Washer (Intake Manifold) ■
50	497465	1	Manifold-Intake ■	1329	126L021615F1	1	Replacement Engine ■●
51	272199s	1	Gasket-Intake ■▲	1330	270962	1	Repair Manual ■
54	691650	1	Screw (Intake Manifold) ■				
306	790836	1	Shield-Cylinder ■				

● Not illustrated

▲ Included in Engine Gasket Set (Ref. No. 358)

■ Obtain parts from www.briggsandstratton.com

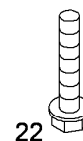
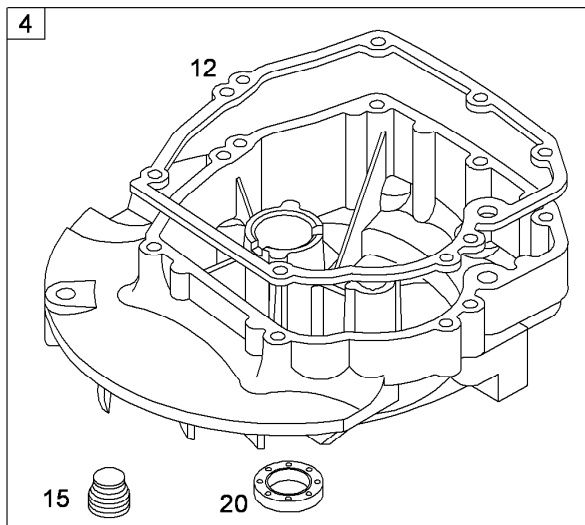
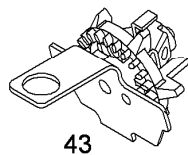
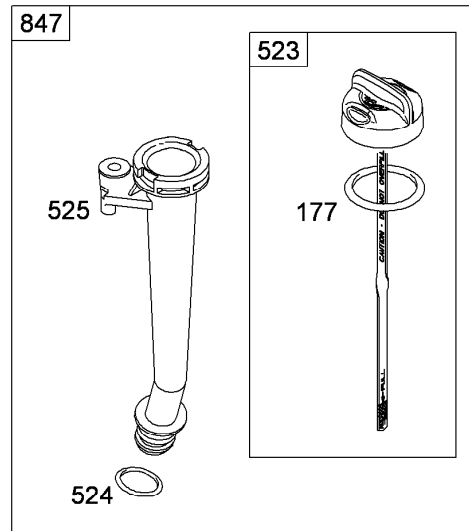
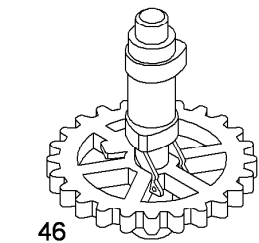
◆ Included in Valve Gasket Set (Ref. No. 1095)



Crankshaft, Piston, Ring and Connecting Rod Assembly Briggs and Stratton 124T02-0205-B1

Ref.	Part Number	Qty.	Description	Ref.	Part Number	Qty.	Description
16	696009	1	Crankshaft ●●	32A	695759	1	Screw (Connecting Rod) ●
24	222698s	1	Key-Flywheel ●●	33	262651s	1	Valve-Exhaust ●
25	795429	1	Piston Asm (Std) ●	34	262652s	1	Valve-Intake ●
25	795430	1	Piston Asm (.020 Oversize) ●	35	691270	1	Spring-Valve (Intake) ●
26	795431	1	Ring Set (Std) ●	36	691270	1	Spring-Valve (Exhaust) ●
26	795432	1	Ring Set (.020 Oversize) ●	40	692194	1	Retainer-Valve ●
27	691866	1	Lock-Pin, Piston ●	45	690548	1	Tappet-Valve ●
28	499423	1	Pin-Piston (Std) ●	332	690662	1	Nut (Flywheel) ●
29	499424	1	Rod-Connecting ●	741	795755	1	Gear-Timing ●
32	691664	1	Screw (Connecting Rod) ●	868	697338	1	Seal-Valve ●

● Obtain parts from www.briggsandstratton.com



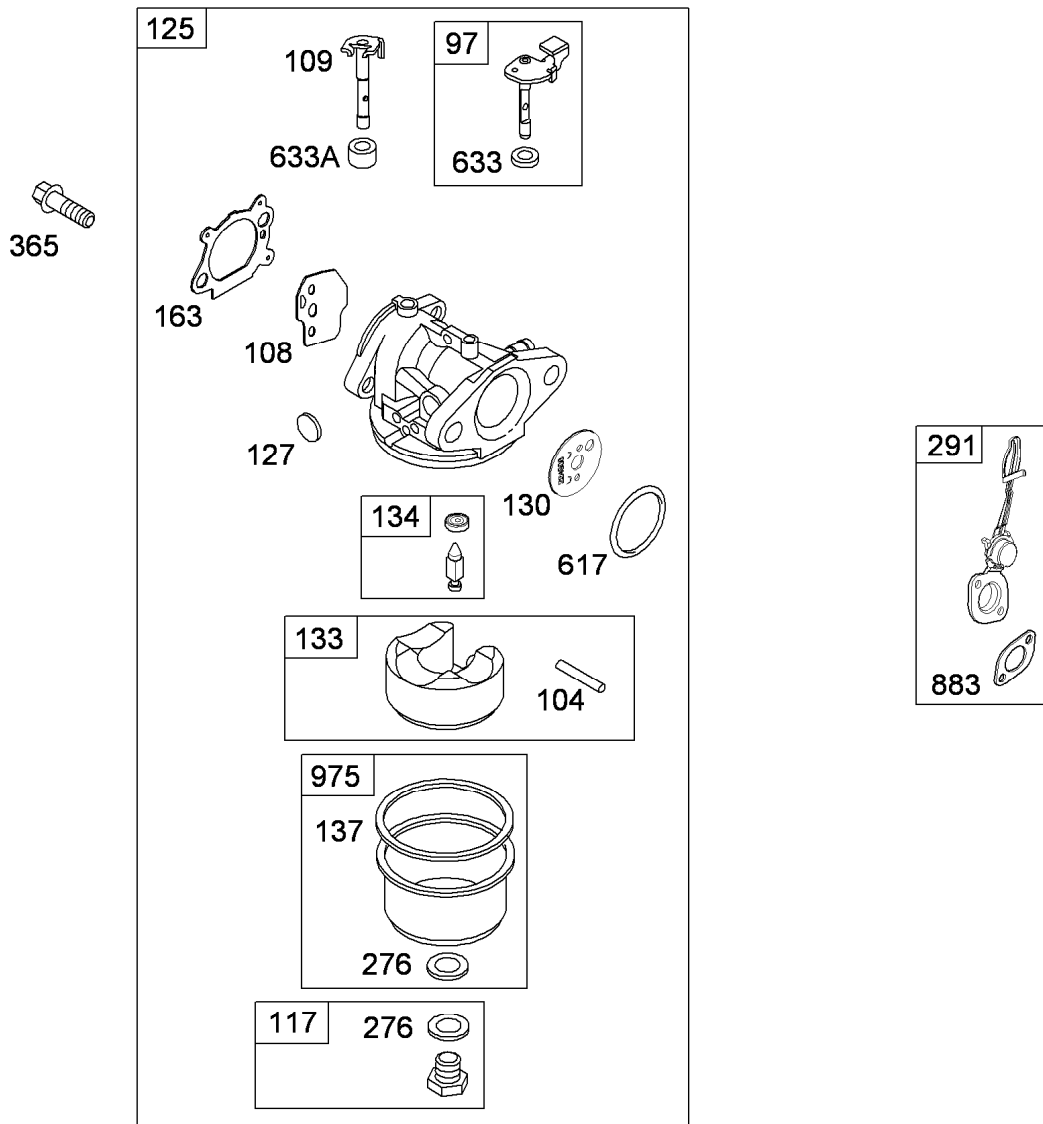
Assemblies include all parts shown in frames

Crankcase Cover and Sump Assembly Briggs and Stratton 124T02-0205-B1

Ref.	Part Number	Qty.	Description
4	493279	1	Sump-Engine ●
12	692232	1	Gasket-Crankcase (.015 STD) ●■
15	691680	1	Plug-Drain, Oil ●
20	399781s	1	Seal-Oil (PTO Side) ●■
22	691092	1	Screw (Crankcase Cover To Sump) ●
43	691997	1	Slinger-Oil, Governor ●
46	691449	1	Camshaft ●
177	691031	1	Seal-O Ring (Dipstick) ●■
287	690940	1	Screw (Dipstick Tube) ●
523	499621	1	Dipstick ●
524	692296	1	Seal-O Ring (Dipstick Tube) ●■
525	495265	1	Tube-Dipstick ●
847	692047	1	Dipstick Tube ASM ●

● Obtain parts from www.briggsandstratton.com

■ Included in Engine Gasket Set (Ref. No. 358)



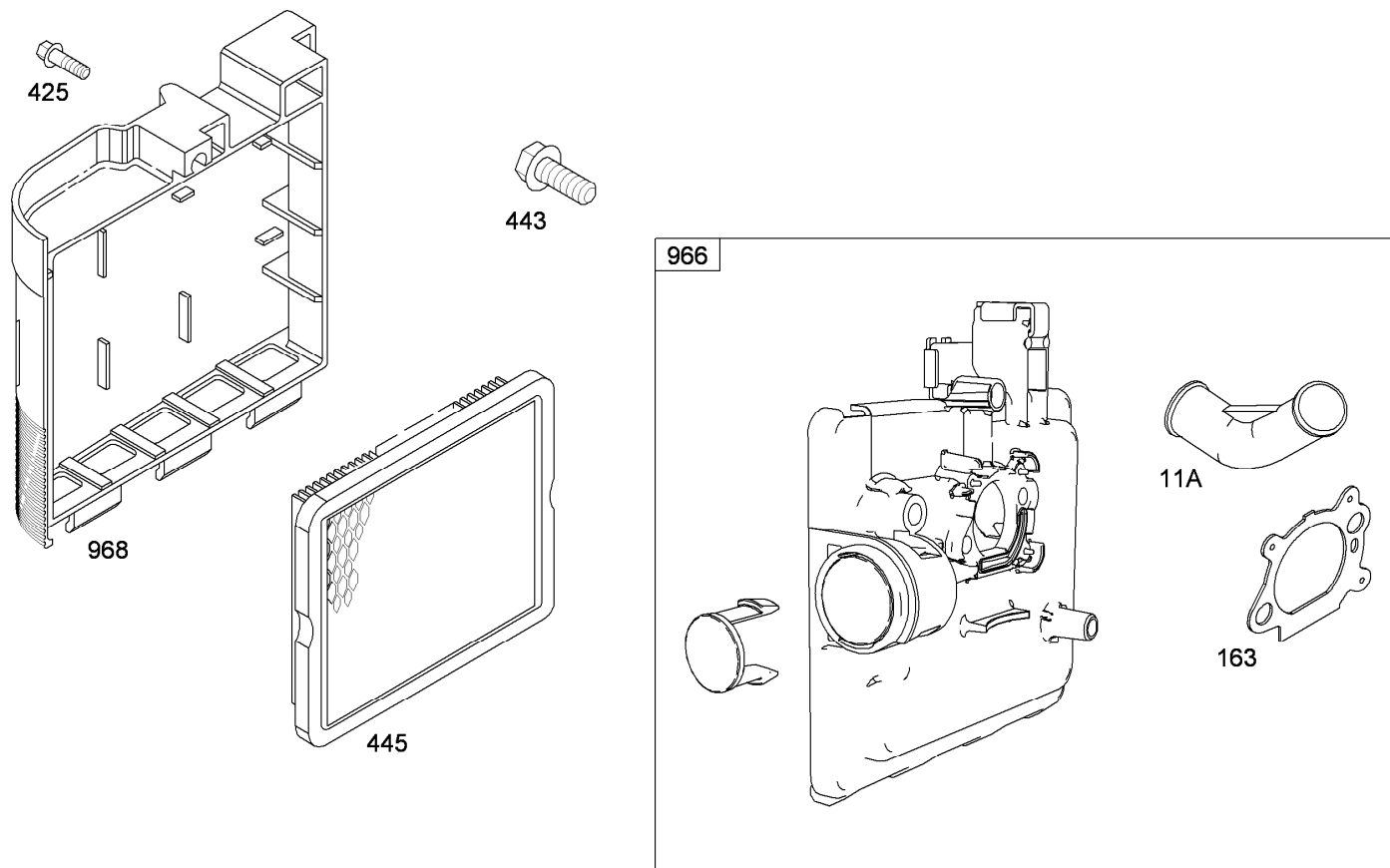
Assemblies include all parts shown in frames

Carburetor Assembly Briggs and Stratton 124T02-0205-B1

Ref.	Part Number	Qty.	Description	Ref.	Part Number	Qty.	Description
97	696565	1	Shaft-Throttle ●	163	795629	1	Gasket-Cleaner, Air ●◆■
104	691242	1	Pin-Hinge, Float ●◆	276	271716	1	Washer-Sealing ●◆
108	795935	1	Valve-Choke ●	291	790830	1	Thermostat ●
109	795936	1	Shaft-Choke ●	365	691688	1	Screw (Carburetor) ●
117	695042	1	Jet-Main (STD) ●	617	270344s	1	Seal-O Ring (Intake Manifold) ●◆■
125	794304	1	Carburetor ●	633	691321	1	Seal-Shaft, Choke Throttle (Throttle Shaft) ●◆
127	694468	1	Plug-Welch ●◆	633A	693867	1	Seal-Shaft, Choke Throttle (Choke Shaft) ●
130	696564	1	Valve-Throttle ●	883	691881	1	Gasket-Exhaust ●■▲
133	398187	1	Float-Carburetor ●	975	493640	1	Bowl-Float ●
134	398188	1	Needle And Seat Kit ●◆				
137	796610	1	Gasket-Bowl, Float (Used After Date Code 08120100) ●◆				
137	693981	1	Gasket-Bowl, Float (Used Before Date Code 08120200) ●◆				

● Obtain parts from www.briggsandstratton.com
▲ Included in Valve Gasket Set (Ref. No. 1095)

■ Included in Engine Gasket Set (Ref. No. 358)
◆ Included in Carburetor Overhaul Kit (Ref. No. 121)



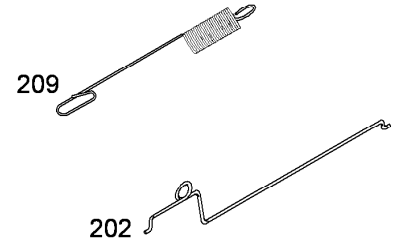
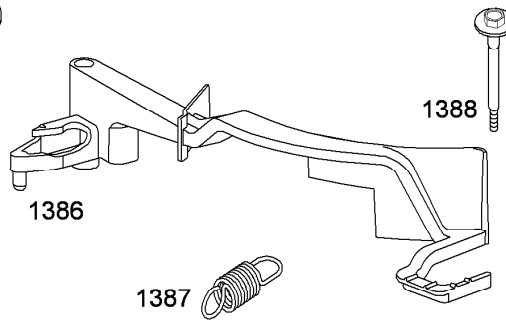
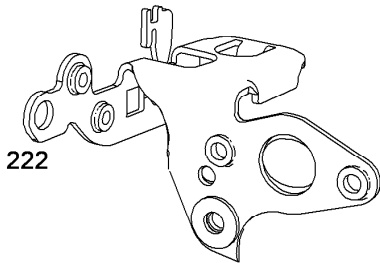
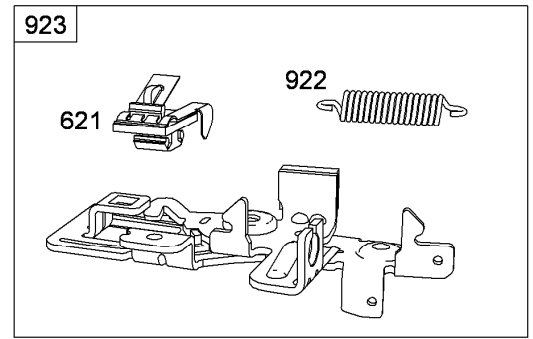
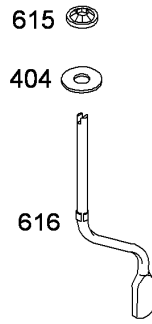
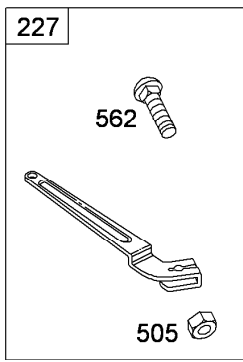
Assemblies include all parts shown in frames

Air Cleaner Assembly Briggs and Stratton 124T02-0205-B1

Ref.	Part Number	Qty.	Description
11A	691923	1	Tube-Breather (Air Cleaner Primer Base) ●
163	795629	1	Gasket-Cleaner, Air ●▲■
425	690670	1	Screw (Air Cleaner Cover) ●
443	692523	1	Screw (Air Cleaner Primer Base) ●
445	491588s	1	Filter-Cartridge, Air Cleaner ●
966	795259	1	Base-Primer, Air Cleaner ●
968	692298	1	Cover-Cleaner, Air ●

● Obtain parts from www.briggsandstratton.com
▲ Included in Carburetor Overhaul Kit (Ref. No. 121)

■ Included in Engine Gasket Set (Ref. No. 358)



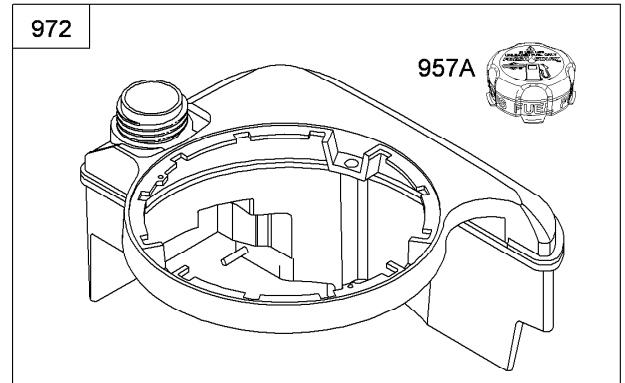
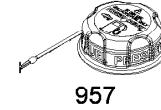
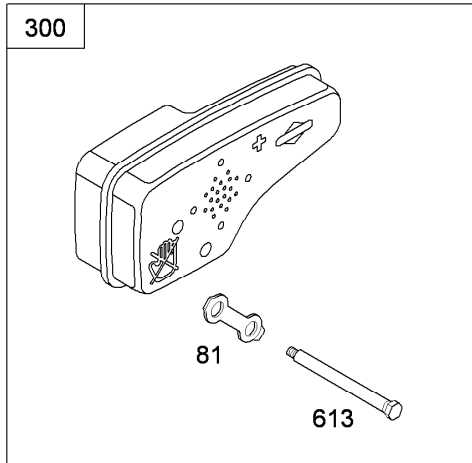
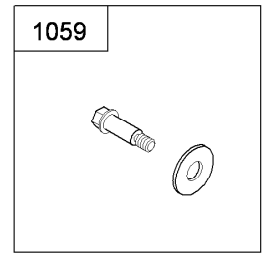
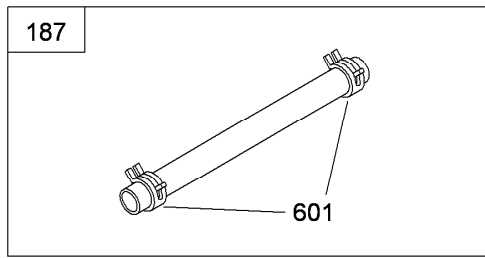
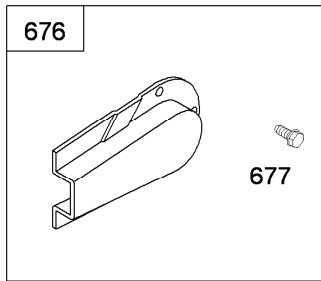
Assemblies include all parts shown in frames

Governor and Controls Assembly Briggs and Stratton 124T02-0205-B1

Ref.	Part Number	Qty.	Description
202	691829	1	Link-Governor, Mechanical
209	699056	1	Spring-Governor (No Color)
222	795937	1	Bracket-Control
227	690783	1	Lever-Control, Governor
404	690272	1	Washer (Governor Crank)
505	691251	1	Nut (Governor Control Lever)
562	691119	1	Screw (Governor Control Lever)

Ref.	Part Number	Qty.	Description
615	690340	1	Retainer-Shaft, Governor
616	698801	1	Crank-Governor
621	692310	1	Switch-Stop
745	691648	1	Screw (Brake)
922	692135	1	Spring-Brake
923	796136	1	Brake
1386	790848	1	Vane-Air
1387	790849	1	Spring-Vane, Air
1388	790850	1	Screw (Air Vane)

● Obtain parts from www.briggsandstratton.com



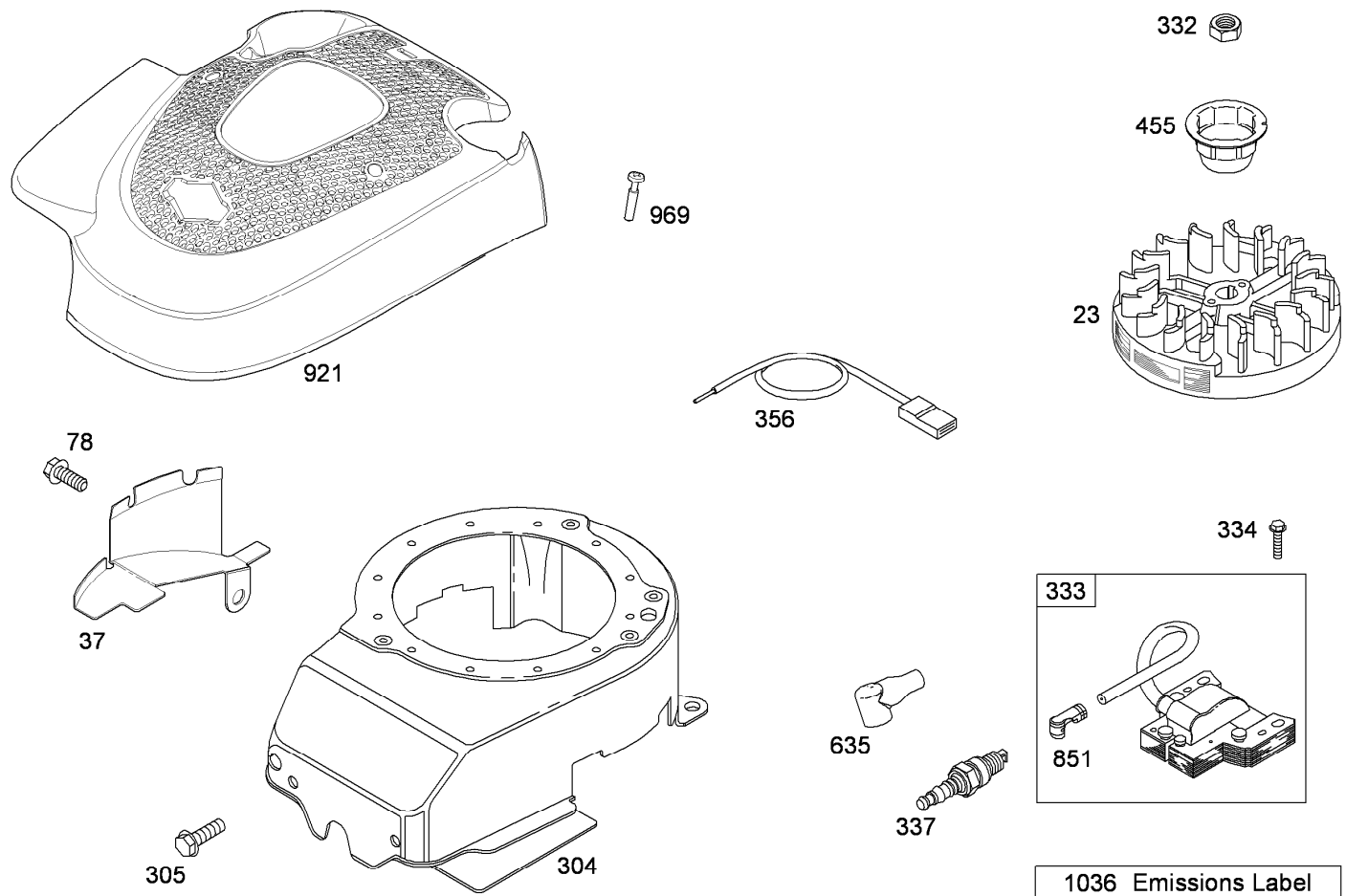
Assemblies include all parts shown in frames

Muffler and Fuel Tank Assembly Briggs and Stratton 124T02-0205-B1

Ref.	Part Number	Qty.	Description
81	691740	1	Lock-Screw, Muffler ●
187	791766	1	Line fuel (Cut To Required Length) ●
190	690940	1	Screw (Fuel Tank) ●
300	790828	1	Muffler ●
601	791850	1	Clamp-Hose ●
613	790833	1	Screw (Muffler) ●
676	493871	1	Deflector-Muffler ●
677	690661	1	Screw (Muffler Deflector) ●
883	691881	1	Gasket-Exhaust ●■▲
957	793606	1	Cap-Tank, Fuel ●
957A	796654	1	Cap-Tank, Fuel ●
972	699374	1	Tank-Fuel ●
1059	692311	1	Screw And Washer Kit ●

● Obtain parts from www.briggsandstratton.com
▲ Included in Valve Gasket Set (Ref. No. 1095)

■ Included in Engine Gasket Set (Ref. No. 358)



Assemblies include all parts shown in frames

Blower Housing, Flywheel and Ignition Assembly Briggs and Stratton 124T02-0205-B1

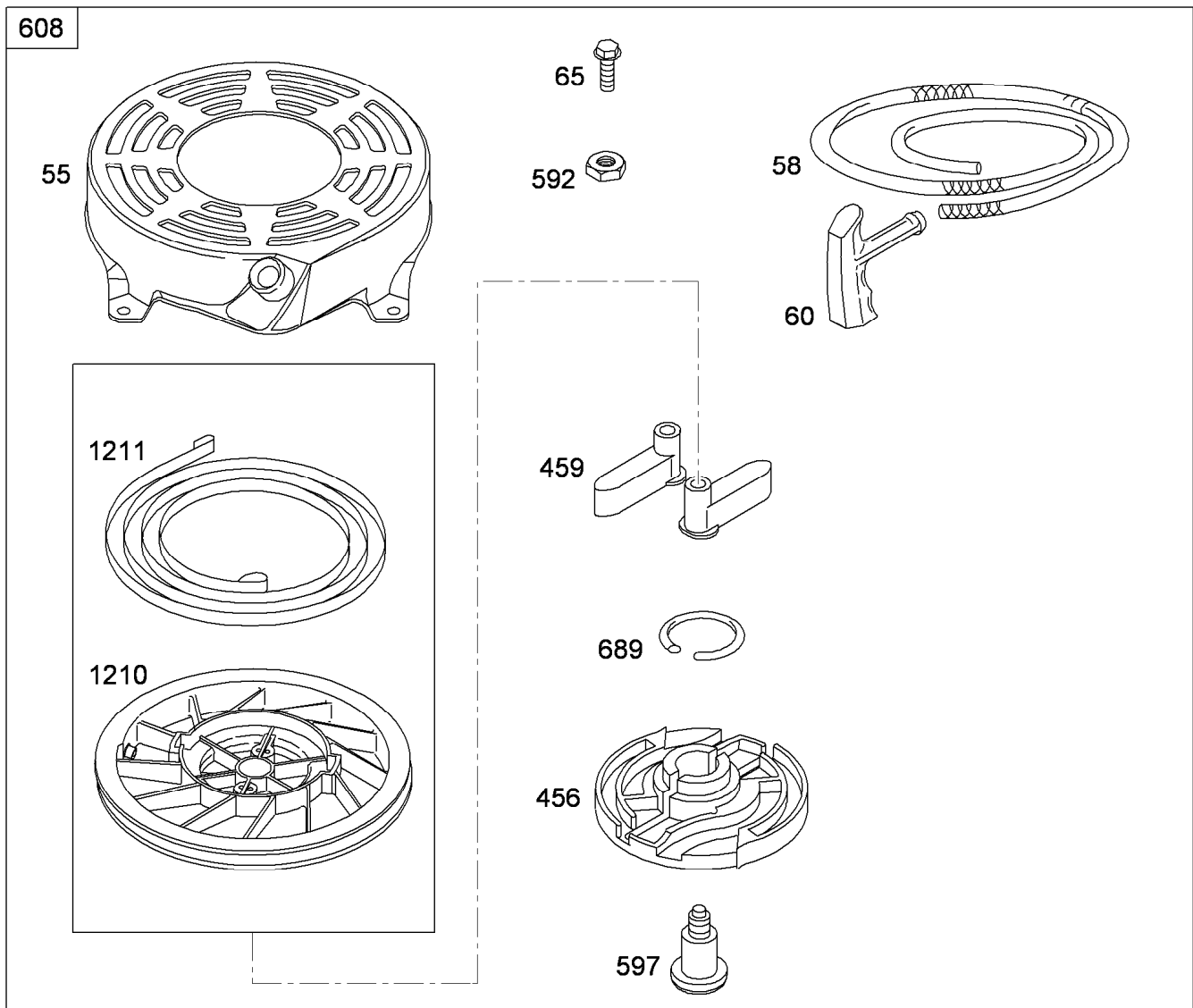
Ref.	Part Number	Qty.	Description
23	691987	1	Flywheel ▲
37	793756	1	Guard-Flywheel ▲
78	691108	1	Screw (Flywheel Guard) ▲
304	790826	1	Housing-Blower ▲
305	691108	1	Screw (Blower Housing) ▲
332	690662	1	Nut (Flywheel) ▲
333	802574	1	Armature-Magneto ▲
334	691061	1	Screw (Magneto Armature) ▲

Ref.	Part Number	Qty.	Description
337	802592s	1	Spark Plug ▲
356	692390	1	Wire-Stop ▲
455	791960	1	Cup-Flywheel ▲
635	66538s	1	Boot-Spark Plug ▲
851	483880s	1	Terminal-Spark Plug ▲
921	792652	1	Cover-Housing, Blower ▲
969	691138	1	Screw (Blower Housing Cover) ▲
1036		1	Label-Emissions ▲●■

● Not illustrated

▲ Obtain parts from www.briggsandstratton.com

■ Not serviced separately

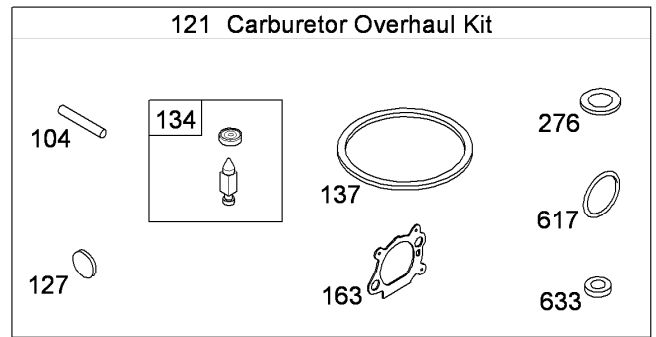
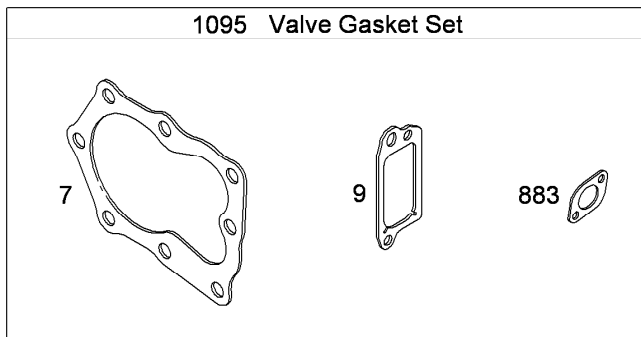
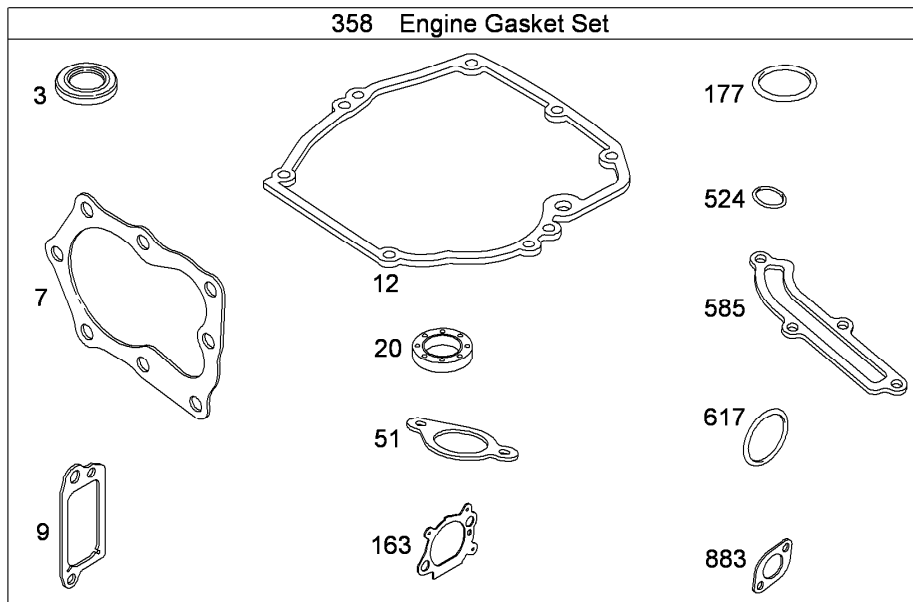


Assemblies include all parts shown in frames

Rewind Starter Assembly Briggs and Stratton 124T02-0205-B1

Ref.	Part Number	Qty.	Description
55	691421	1	Housing-Starter, Rewind ●
58	697316	1	Rope-Starter (Cut To Required Length) ●
60	281434s	1	Grip-Rope, Starter ●
65	690837	1	Screw (Rewind Starter) ●
456	692299	1	Plate-Friction, Pawl ●
459	281505s	1	Ratchet-Pawl ●
592	690800	1	Nut (Rewind Starter) ●
597	691696	1	Screw (Pawl Friction Plate) ●
608	497680	1	Starter-Rewind ●
689	691855	1	Spring-Friction ●
1210	498144	1	Pulley And Spring ASM (Pulley) ●
1211	498144	1	Pulley And Spring ASM (Spring) ●

● Obtain parts from www.briggsandstratton.com



Assemblies include all parts shown in frames

Engine and Valve Gaskets and Carburetor Overhaul Kit Briggs and Stratton 124T02-0205-B1

Ref.	Part Number	Qty.	Description	Ref.	Part Number	Qty.	Description
3	299819s	1	Seal-Oil (Magneto Side) ●■	163	795629	1	Gasket-Cleaner, Air ●◆■
7	692249	1	Gasket-Head, Cylinder ●■▲	177	691031	1	Seal-O Ring (Dipstick) ●■
9	699472	1	Gasket-Breather ●■▲	276	271716	1	Washer-Sealing ●◆
12	692232	1	Gasket-Crankcase ●■	358	497316	1	Engine Gasket Set ●
20	399781s	1	Seal-Oil (PTO Side) ●■	524	692296	1	Seal-O Ring (Dipstick Tube) ●■
51	272199s	1	Gasket-Intake ●■	585	691879	1	Gasket-Passage, Breather ●■
104	691242	1	Pin-Hinge, Float ●◆	617	270344s	1	Seal-O Ring (Intake Manifold) ●◆■
121	498260	1	Carburetor Overhaul Kit ●	633	691321	1	Seal-Shaft, Choke Throttle (Throttle Shaft) ●◆
127	694468	1	Plug-Welch ●◆	883	691881	1	Gasket-Exhaust ●■▲
134	398188	1	Needle And Seat Kit ●◆	1095	498528	1	Valve Gasket Set ●
137	796610	1	Gasket-Bowl, Float (Used After Date Code 08120100) ●◆				
137	693981	1	Gasket-Bowl, Float (Used Before Date Code 08120200) ●◆				

● Obtain parts from www.briggsandstratton.com
▲ Included in Valve Gasket Set (Ref. No. 1095)

■ Included in Engine Gasket Set (Ref. No. 358)
◆ Included in Carburetor Overhaul Kit (Ref. No. 121)

Attachments and Accessories

For 10641 20in Mulching/Rear Bagging Lawn Mower

Product Name	Model/Part
Loose Parts Kit	117-5929
Replacement Bag, 2009 and After 20in Steel Deck Lawnmowers.....	89701
Replacement Bag and Frame Kit, 2009 and After 20in Steel Deck Lawnmowers	89702
20in Replacement Blade.....	89963

Notes:

Notes:

Notes:

