



Insight™ Lawn Mower

Model No. 10671 - 260000001 and up.

Parts Catalog

Ordering Replacement Parts

To order replacement parts, please supply the part number, the quantity, and the description of each part desired.

Understanding Reference Numbers

Each identified part in an illustration has a reference number. The reference number for a part also appears in the parts list, along with other information about the part.

This catalog uses two special reference number formats, one to indicate parts in a service assembly and another to indicate the quantity of a given part in an illustration.

Service Assembly Reference Numbers

Parts in service assemblies have reference numbers in the form a:b. The a represents the reference number of the entire service assembly and the b represents a sequential number unique to each part within the service assembly.

For example, a wheel assembly might be identified by reference number 6, the tire by 6:1, the valve by 6:2, and the wheel by 6:3. When you order the assembly identified by reference number 6, you receive all parts identified by reference numbers 6:1, 6:2, and 6:3. However, you may also order any part individually. Reference numbers of this type appear in illustrations and in part lists.

Reference Numbers Indicating Quantity

In an illustration, if a reference number indicates more than one part, the reference number has the form nX y. The n represents the quantity of the part, the X is the multiplication symbol, and the y represents the reference number.

For example, in an illustration, the reference number 2X 37 means that two of the parts identified by reference number 37 are indicated.

Contents

Description	Page	Description	Page
Front End and Tunnel Assembly 3	Engine Assembly No. 2 Tecumseh LV195EA-362044D 12
Housing Assembly No. 108-9345 4	Carburetor Assembly No. 640350 Tecumseh LV195EA-362044D 14
Rear End Assembly 5	Recoil Starter Assembly No. 590739 Tecumseh LV195EA-362044D 15
Upper Handle Assembly 6	Recoil Starter Assembly No. 590702 (optional) Tecumseh LV195EA-362044D 16
Lower Handle Assembly 7	Attachments and Accessories List 17
Blade and Engine Assembly 8		
Rear Bag Assembly 9		
Engine Assembly No. 1 Tecumseh LV195EA-362044D 10		

Part Description Abbreviations

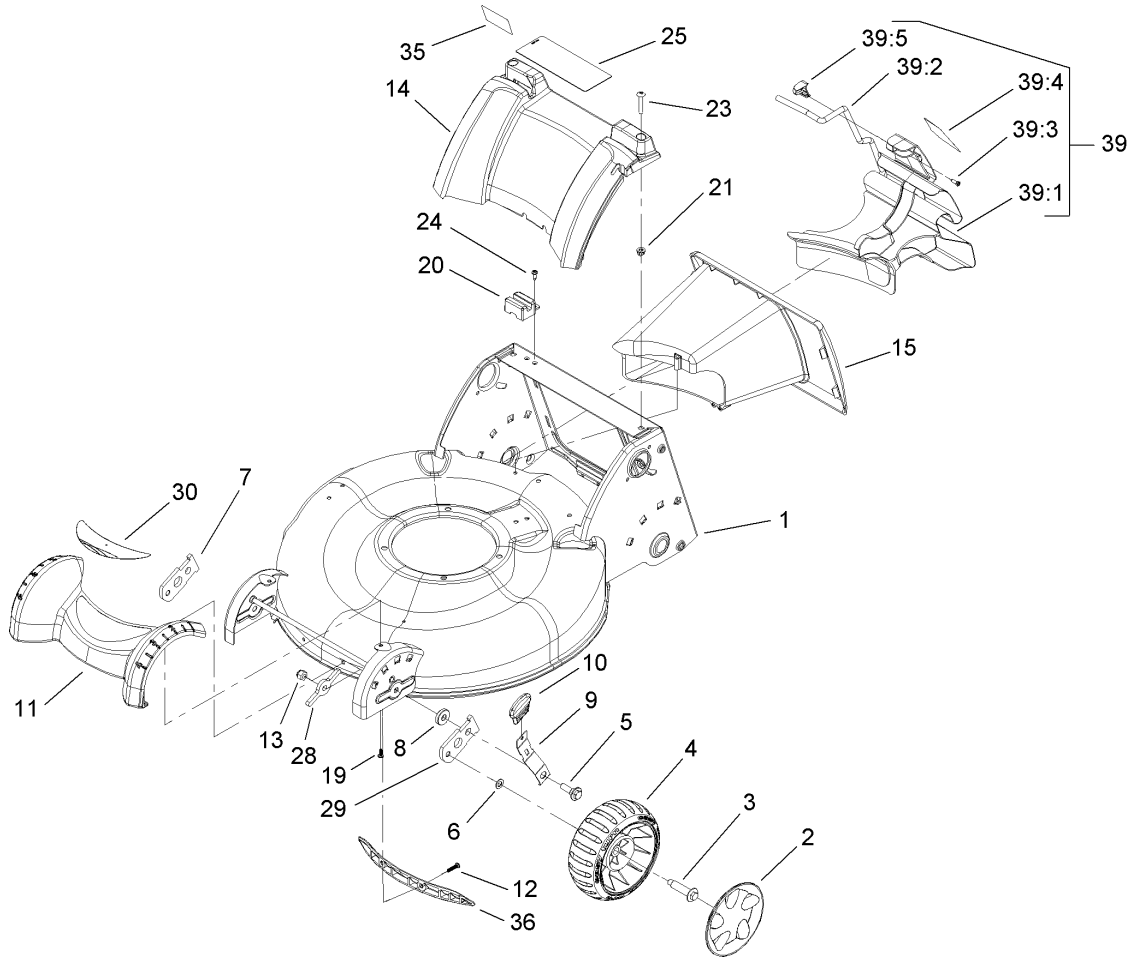
Part descriptions in this catalog may include the following abbreviations.

AR. as required	INC. incorporated
ASM. assembly	LH. left hand
BBC. blade brake clutch	NI. nylon insert
CARR. carriage	NPTF. national pipe thread fine
DEG. degrees	PFH. phillips flat head
EXT. external	PPH. phillips pan head
FH. flat head	PPHTF. phillips pan head thread forming
GA. gauge	PRH. phillips round head
HF. hex flange	PTH. phillips truss head
HH. hex head	PTO. power-take-off
HHF. hex head flange	RH. right hand
HHFTF. hex head flange thread forming	ROPS. roll-over-protection-system
HJ. hex jam	SFH. slotted fillister head
HLH. hex lag head	SHH. slotted hex head
HOC. height-of-cut	SHWH. slotted hex washer head
HSBH. hex socket button head	SPH. slotted pan head
HSFH. hex socket flat head	SQH. square head
HSH. hex socket head	SRH. slotted round head
HWH. hex washer head	STD. standard
HWHTF. hex washer head thread forming	TAP. self tapping
HYD. hydraulic	TTH. torx truss head

Footnotes

❶ Not serviced separately

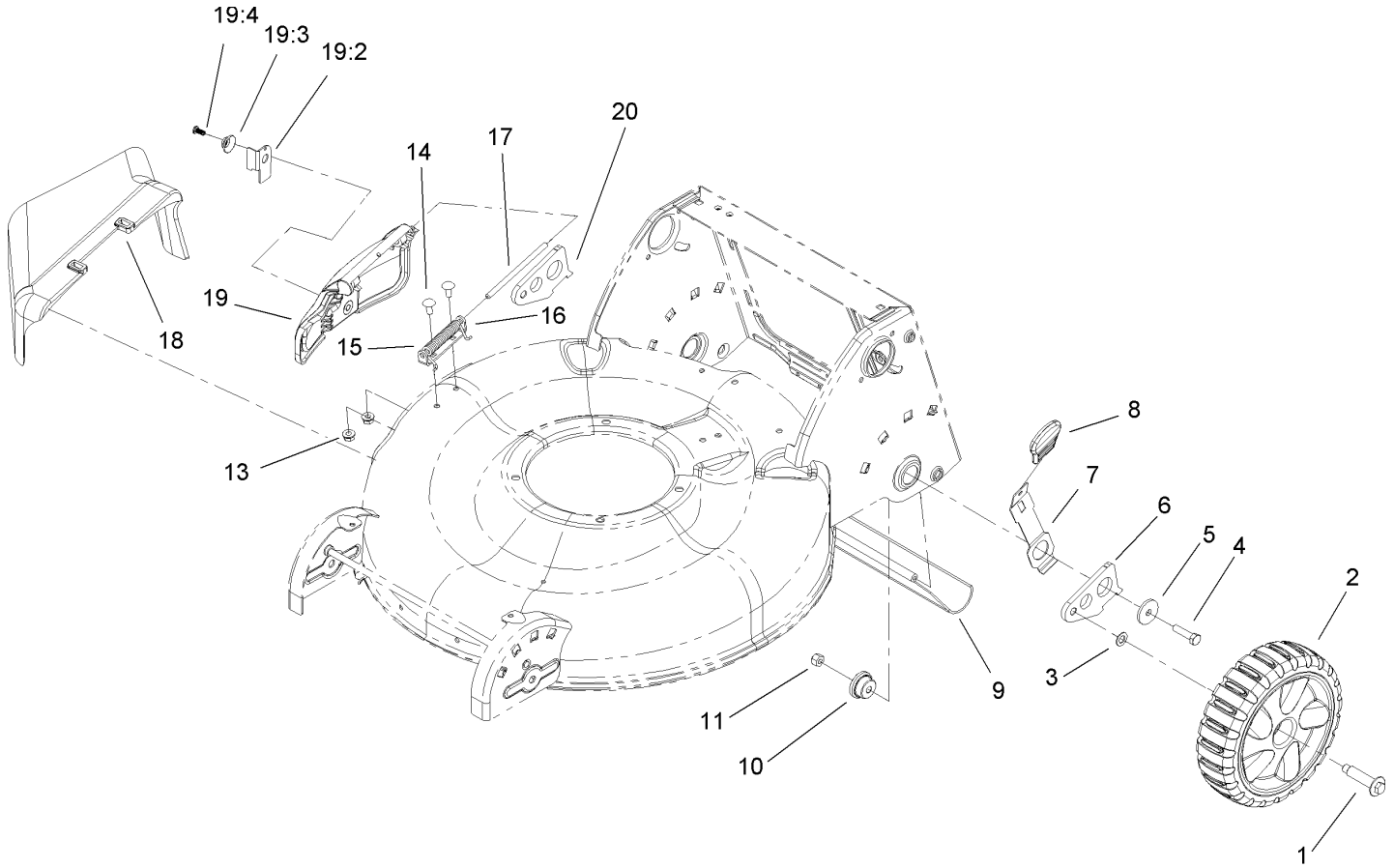
❷ Obtain from your local Tecumseh dealer



Front End and Tunnel Assembly

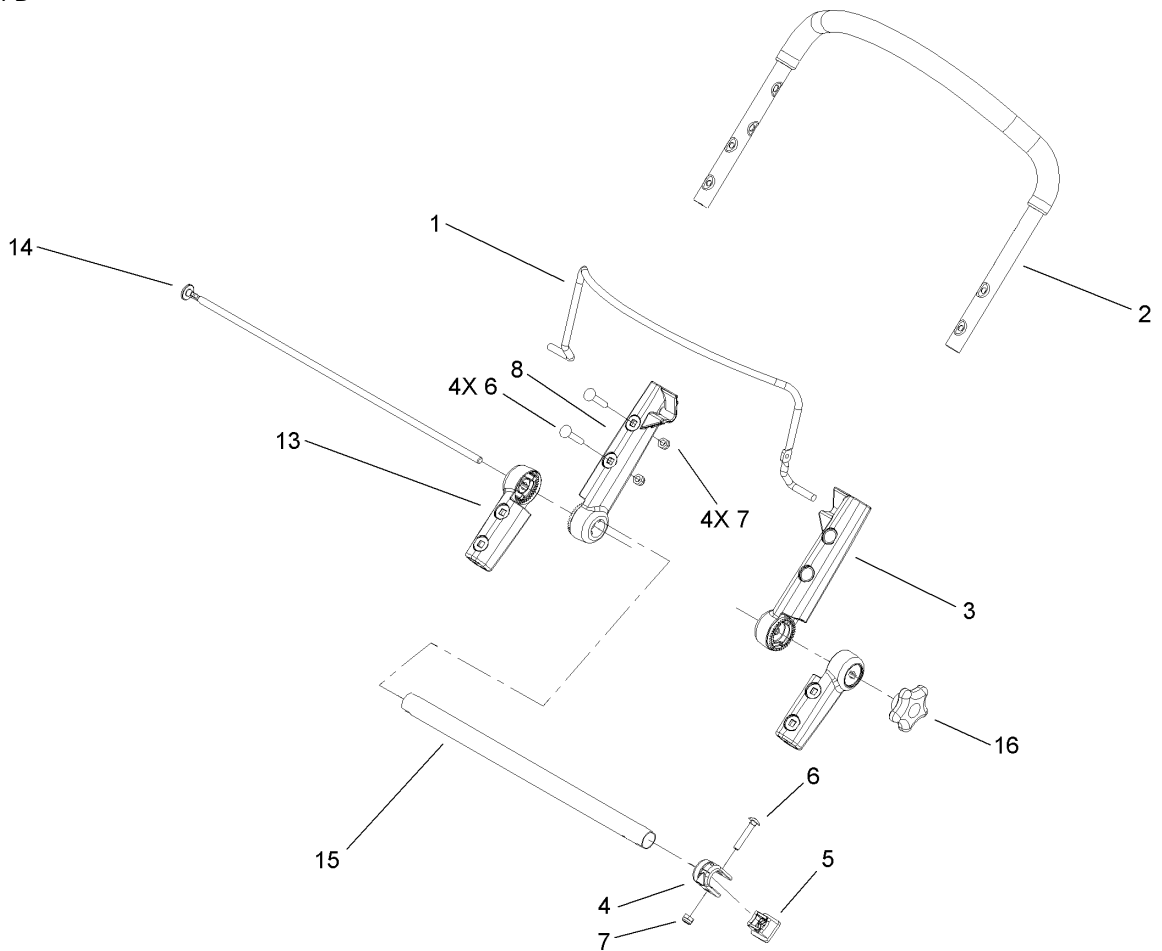
Ref	Part No.	Qty.	Description
1	108-9345	1	Housing ASM
2	107-3886	2	Cover-Wheel, 7 Inch
3	614650	2	Bolt-Shoulder
4	107-3891	2	7 Inch Wheel ASM
5	614672	2	Bolt-Shoulder
6	40-1940	2	Washer
7	107-3877	1	Arm-Pivot, RH
8	92-4890	2	Washer
9	107-3878	2	Arm-Spring
10	107-1904	2	Knob-Lever, HOC
11	107-3926	1	Cover-Front
12	108-7476	5	Screw-Plastite
13	3296-39	2	Nut-Lock, NI
14	108-9395	1	Cover-Rear
15	107-3905	1	Tunnel
19	108-7475	2	Screw-Plastite
20	108-0967	1	Module-Switch
21	94-1610	2	Nut-Clip
23	108-0965	2	Screw-PTH
24	105-6849	2	Screw-Thread Forming
25	104-7909	1	Decal-Warning
28	108-1048	2	Washer-Support, Front
29	108-1044	1	Arm-Pivot, LH
30	108-7453	1	Decal

Ref	Part No.	Qty.	Description
35	107-1939	1	Decal-Bag Attachment, Ce
36	108-7502	1	Insert-Housing
39	107-1948	1	Mulch Plug ASM
39:1	107-3907	1	Plug-Chute
39:2	108-1038	1	Latch-Plug
39:3	32144-111	1	Screw-PPH
39:4	107-1940	1	Decal-Mulch Plug, Ce
39:5	108-0956	1	Retainer-Latch



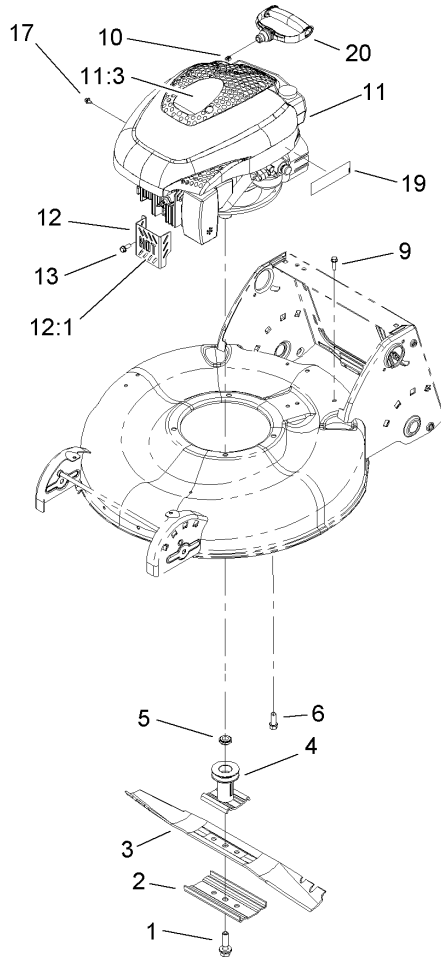
Rear End Assembly

Ref	Part No.	Qty.	Description
1	614650	2	Bolt-Shoulder
2	107-3898	2	8 Inch Wheel ASM
3	40-1940	2	Washer
4	322-6	2	Screw-HH
5	105-3048	2	Washer-Flat
6	108-9344	1	Arm-Rear Pivot, LH
7	107-3880	2	Arm-Spring, Rear
8	107-1904	2	Knob-Lever, HOC
9	107-3904	1	Shield-Trailing
10	105-1818	2	Bushing-Mount, HOC
11	3296-29	2	Nut-Lock, NI
13	32128-32	2	Nut-HHF
14	3229-11	2	Screw-CARR
15	99-5293	1	Spring-Torsion
16	99-5292	1	Bracket-Cover
17	99-5291	1	Rod-Cover
18	105-3028	1	Chute-Discharge, Side
19	106-8376	1	Discharge Door ASM
19:2	107-0795	1	Latch-Door
19:3	107-7456	1	Cap-Door
19:4	107-7461	1	Screw-Plastite
20	108-9343	1	Arm-Rear Pivot, RH



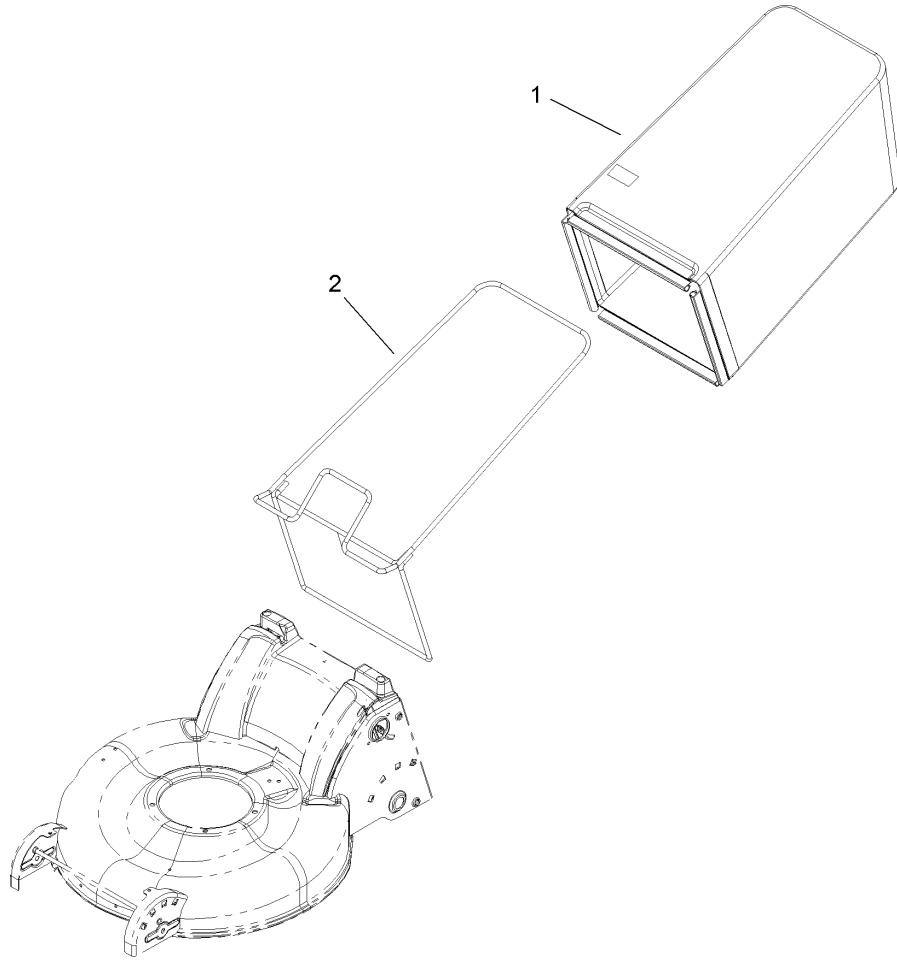
Upper Handle Assembly

Ref	Part No.	Qty.	Description
1	108-1035-03	1	Bail-Brake
2	110-1752	1	Handle ASM
3	108-1030	1	Mount-Handle, LH
4	107-3910	1	Cable-Brake
5	108-1040	1	Support-Mount, Cable
6	108-0988	5	Screw-CARR
7	3296-73	5	Nut-Lock, NI
8	108-1031	1	Mount-Handle, RH
13	107-3865	2	Mount-Handle, Lower
14	107-3871	1	Rod-Threaded
15	107-3867-03	1	Tube-Cross
16	107-3937	1	Knob



Blade and Engine Assembly

Ref	Part No.	Qty.	Description				
1	105-8579	1	Bolt-Blade				
2	108-3766-03	1	Support-Blade				
3	108-0954-03	1	Blade-21 Inch				
4	106-3987	1	Blade Driver ASM				
5	106-3999	1	Spacer-Driver				
6	92-1624	3	Screw				
9	46-8091	3	Screw-HWH				
10	92-1701	1	Stop-Rope				
11		1	Engine-Tecumseh, Lv195Ea-362044D				
11:3	108-7452	1	Decal-Recoil				
12	106-8387	1	Muffler Guard ASM				
12:1	106-5517	1	Decal-Surface, Hot				
13	32144-85	1	Screw-HWH				
17	98-1394	1	Screw-HWH				
19	105-6832	1	Decal-Primer				
20	110-1778	1	Handle-Recoil				



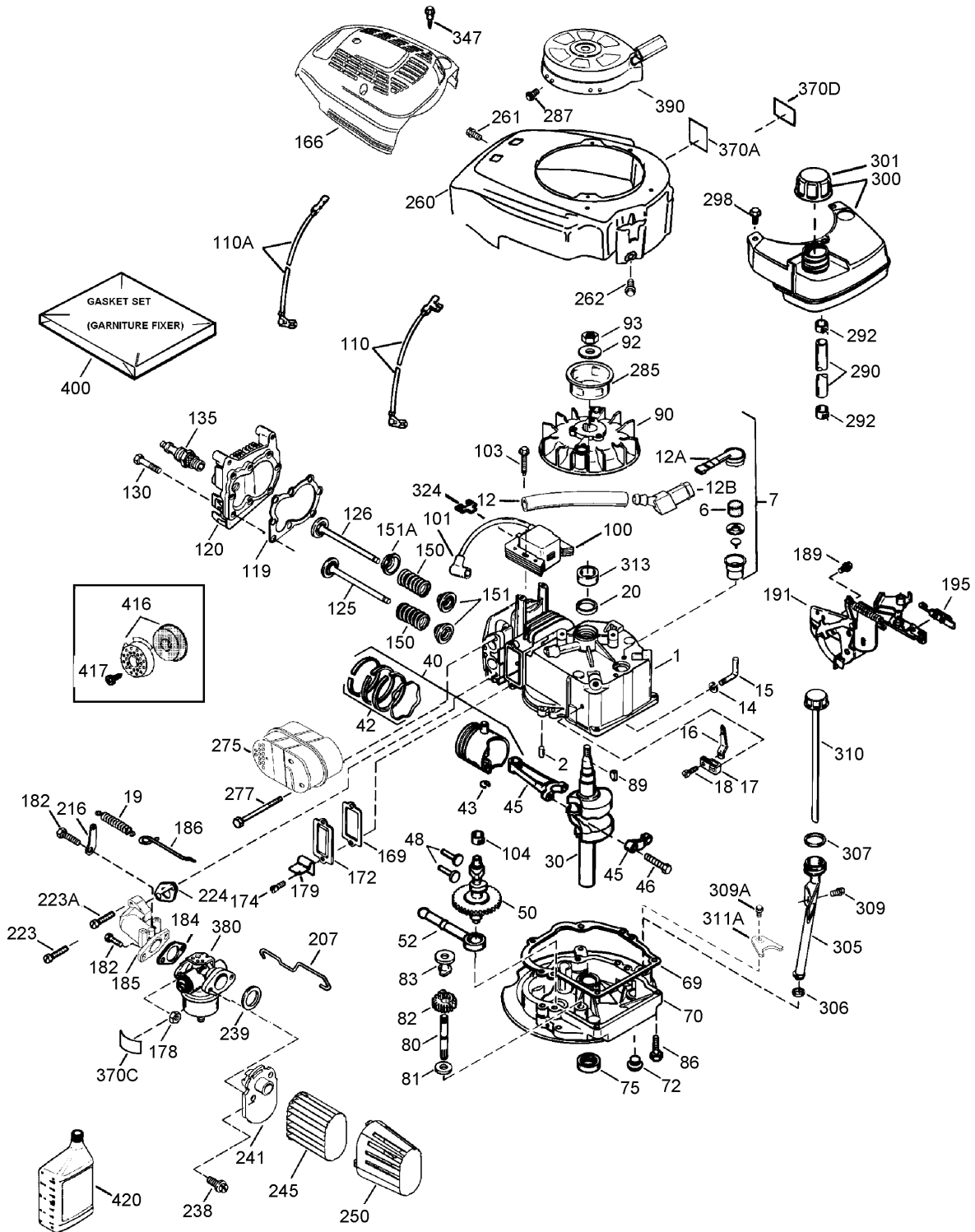
Rear Bag Assembly

Ref	Part No.	Qty.	Description
1	107-3911	1	Bag-Grass
2	107-3912-03	1	Bag Frame ASM

|--|--|--|--|

Engine Assembly No. 1

Tecumseh LV195EA-362044D



Engine Assembly No. 1

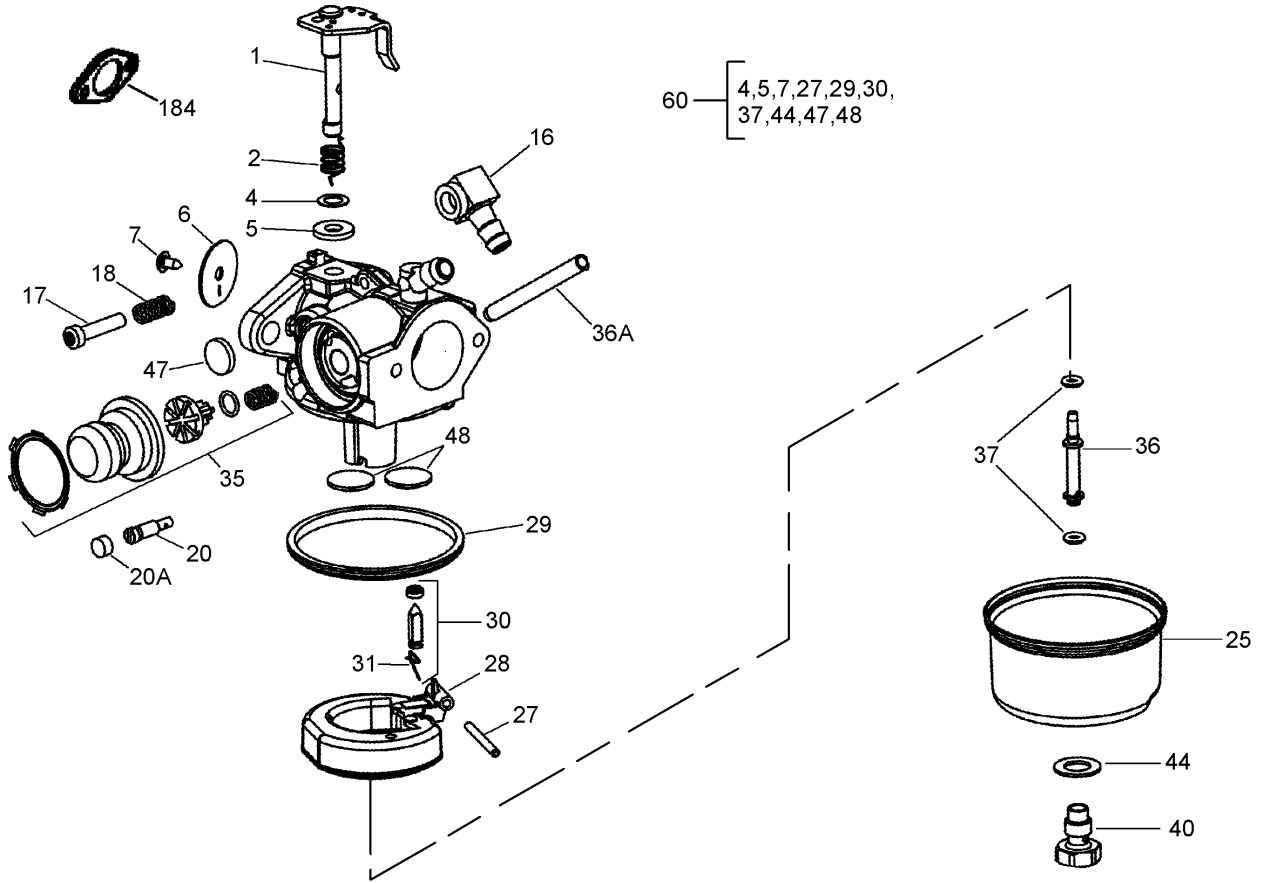
Tecumseh LV195EA-362044D

Ref	Part No.	Qty.	Description	Ref	Part No.	Qty.	Description
②1	37465	1	Cylinder (Includes 2, 20, 150)	②130	6021A	8	Screw (5/16-18 X 1-7/16)
②2	26727	2	Pin-Dowel	②135	35395	1	Spark Plug-Resistor (Rj19Lm)
②6	33734	1	Element-Breather	②150	31672	2	Spring-Valve
②7	36557	1	Breather ASM (Includes 6, 12A)	②151	31673	2	Cap-Spring, Valve
②12	37944	1	Tube-Breather	②151A	40017	1	Seal-Valve, Intake
②12A	36558	1	Breather Cover And Tube ASM (Includes 12B)	②166	37813A	1	Engine Shroud (Green)
②12B	36694	1	Elbow-Tube, Breather	②169	36783	1	Gasket-Cover, Valve
②14	28277	1	Washer	②172	36784	1	Cover-Valve
②15	30589	1	Rod-Governor (Includes 14)	②174	30200	2	Screw (10-24 X 9/16)
②16	34839A	1	Lever-Governor	②178	29752	2	Nut And Lock Washer ASM (1/4-28)
②17	31335	1	Clamp-Lever, Governor	②179	30593	1	Retainer Clip
②18	651018	1	Screw (T-15, 8-32 X 19/64)	②182	6201	2	Screw (1/4-28 X 7/8)
②19	36281	1	Spring-Extension	②184	26756	1	Gasket (Carburetor To Intake Pipe)
②20	32600	1	Seal-Oil	②185	37466	1	Pipe-Intake
②30	37692	1	Crankshaft	②186	32653	1	Link-Governor
②40	40027	1	Piston, Pin And Ring Set (STD.)	②189	650839	2	Screw (1/4-20 X 3/8)
②42	40006	1	Ring Set (STD.)	②191	36559A	1	Bracket-Brake (Includes 195)
②43	20381	2	Ring-Retaining, Piston Pin	②195	610973	1	Terminal
②45	36777	1	Connecting Rod ASM (Includes 46)	②207	34336A	1	Link-Throttle
②46	32610A	2	Bolt-Rod, Connecting	②216	33086	1	Lever-Adjusting, Rpm
②48	27241	2	Lifter-Valve	②223	650451	1	Screw (1/4-20 X 1)
②50	37460	1	Camshaft (Includes 104)	②223A	651074	1	Stud-Pipe, Intake
②52	29914	1	Oil Pump ASM	②224	36786	1	Gasket-Pipe, Intake
②69	37609	1	Gasket-Flange, Mounting	②238	650932	2	Screw (10-32 X 49/64)
②70	37608A	1	Flange-Mounting (Includes 72-83, 306, 309A, 311A)	②239	34338	1	Gasket-Air Cleaner
②72	37614	1	Plug-Drain, Oil	②241	36919	1	Collar-Air Cleaner
②75	27897	1	Seal-Oil	②245	36905	1	Filter-Air Cleaner
②80	30574A	1	Shaft-Governor	②250	37122	1	Cover-Air Cleaner
②81	30590A	1	Washer	②260	37696A	1	Housing-Blower
②82	30591	1	Governor Gear ASM (Includes 81)	②261	30200	2	Screw (10-24 X 9/16)
②83	30588A	1	Spool-Governor	②262	650831	2	Screw (1/4-20 X 1/2)
②86	650488	6	Screw (1/4-20 X 1-1/4)	②275	37498	1	Muffler
②89	611298	1	Key-Flywheel	②277	650988	2	Screw (1/4-20 X 2-9/32)
②90	611299	1	Flywheel	②285	35000A	1	Cup-Starter
②92	650815	1	Washer-Belleville	②287	650926	2	Screw (8-32 X 21/64)
②93	650816	1	Nut-Flywheel	②290	37962	1	Line-Fuel
②100	34443C	1	Ignition-Solid State	②292	26460	2	Clamp-Line, Fuel
②101	610118	1	Cover-Spark Plug	②298	28763	2	Screw (10-32 X 35/64)
②103	651007	2	Screw (T-15, 10-24 X 15/16)	②300	37947	1	Fuel Tank ASM
②104	37480	1	Bushing-Cam	②301	37844	1	Fuel Cap ASM
②110	37047	1	Wire-Ground	②305	35647A	1	Tube-Fill, Oil
②110A	611227	1	Ground Wire	②306	37610	1	O-Ring
②119	37796	1	Gasket-Head, Cylinder	②307	35499	1	O-Ring
②120	3771	1	Head-Cylinder	②309	650562	1	Screw (10-32 X 1/2)
②125	36780	1	Valve-Exhaust (1/32In Os) (Includes 151)	②309A	650783	1	Screw (10-24 X 3/4)
②125	37288	1	Valve-Exhaust (STD) (Includes 151)	②310	35648	1	Dipstick
②126	37289	1	Valve-Intake (STD) (Includes 151, 151A)	②311A	37611	1	Bracket-Holddown
				②313	34080	1	Spacer
				②324	33177	1	Terminal
				②347	650898A	4	Screw (10-32 X 27/32)

Engine Assembly No. 2

Tecumseh LV195EA-362044D

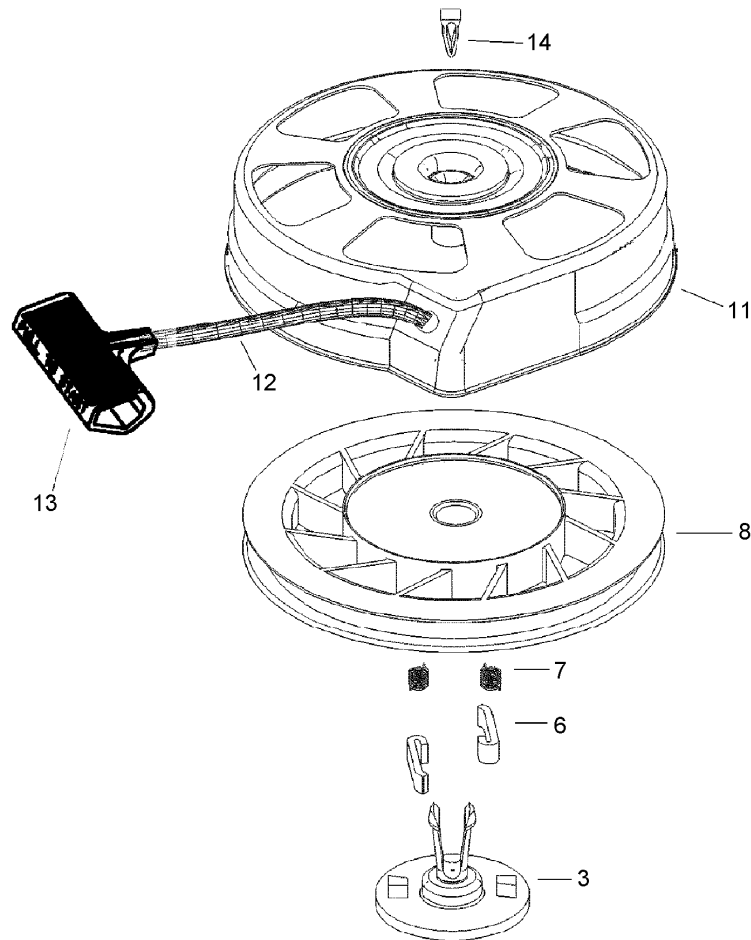
Ref	Part No.	Qty.	Description			
②370C	37695	1	Decal-Primer			
②370D	35977	1	Decal-Warning			
②380	640350	1	Carburetor ASM (Includes 184)			
②390	590739	1	Starter-Rewind (Note: This Engine Could Have Been Built With Starter 590702)			
②400	37613A	1	Gasket Set (Includes 69, 119, 169, 184, 224, 239, 306)			
②416	37530	1	Spark Arrestor Kit			
②420	730225A	1	Oil-Engine, Sae 30 (4-Cycle)			



Carburetor Assembly No. 640350 Tecumseh LV195EA-362044D

Ref	Part No.	Qty.	Description
①	631615	1	Throttle Shaft And Lever ASM
②	631767	1	Spring-Return, Throttle
④	631184	1	Washer-Seal, Dust
⑤	631183	1	Seal-Dust, Throttle
⑥	640070	1	Shutter-Throttle
⑦	650506	1	Screw-Shutter
⑬	631807	1	Fitting-Fuel
⑰	651025	1	Screw-Throttle/Idle Speed
⑱	630766	1	Spring-Tension
⑳	640016	1	Screw-Restrictor, Idle
⑳A	640200	1	Cap-Screw, Idle Restrictor
㉕	631867	1	Bowl-Float
㉗	631024	1	Shaft-Float
㉘	632802	1	Float (Plastic)
㉙	631028	1	O Ring-Bowl, Float
㉚	631021A	1	Inlet Needle, Seat, And Clip ASM (Includes 31)
㉛	631022	1	Clip-Spring
㉝	640351	1	Primer Bulb/Valve Repair Kit
㉞	640080	1	Tube-Nozzle, Main
㉞A	632766	1	Tube-Carburetor
㉟	632547	2	O Ring-Tube, Main Nozzle
㊱	640030	1	Nut-Bowl, High Speed
㊲	27110A	1	Washer-Bowl

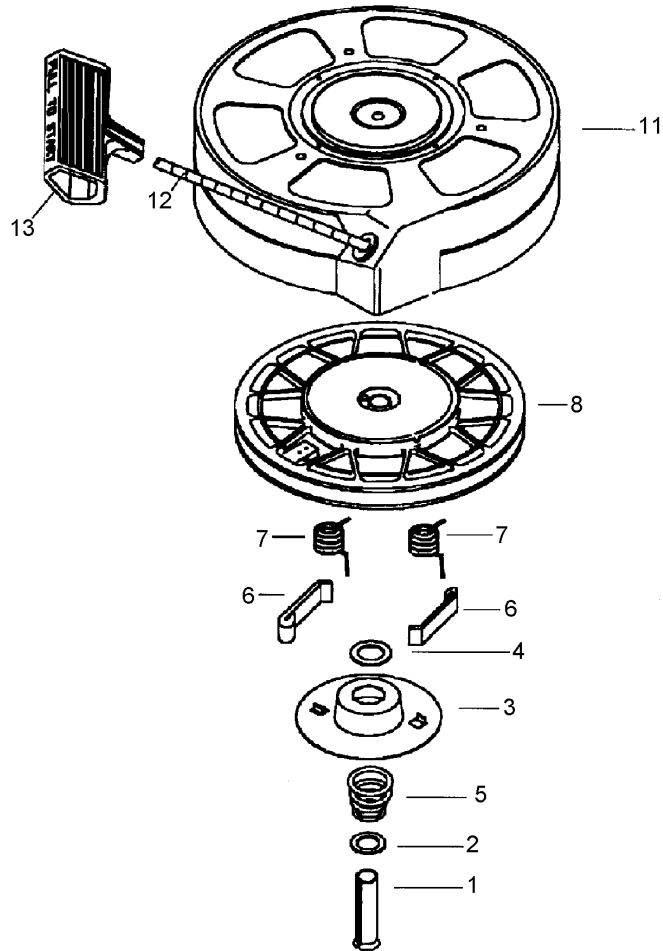
Ref	Part No.	Qty.	Description
㊴	630748	1	Welch Plug-Idle Mixture Well
㊵	631027	2	Welch Plug-Atmospheric Vent
㊶	632760B	1	Repair Kit (Includes 4, 5, 7, 27, 29, 30, 37, 44, 47, 48)
㊸	26756	1	Gasket (Carburetor To Intake Pipe)



Recoil Starter Assembly No. 590739 Tecumseh LV195EA-362044D

Ref	Part No.	Qty.	Description
②3	590740	1	Retainer
②6	590616	2	Dog-Starter
②7	590617	2	Spring-Dog
②8	590618A	1	Pulley And Rewind Spring ASM
②11	590638A	1	Starter Housing ASM (40 Degree Grommet)
②12	590535	1	Rope-Starter (98In X 9/64In Diameter)
②13	590701	1	Handle-Starter
②14	590760	1	Clip-Spring

--	--	--	--



Recoil Starter Assembly No. 590702 (optional) Tecumseh LV195EA-362044D

Ref	Part No.	Qty.	Description				
①	590599A	1	Spring Pin ASM (Includes 4)				
②	590600	1	Washer				
③	590696	1	Retainer				
④	590601	1	Washer				
⑤	590697	1	Spring-Brake				
⑥	590698	2	Dog-Starter				
⑦	590699	2	Spring-Dog				
⑧	590700	1	Pulley And Rewind Spring ASM				
⑪	590703A	1	Starter Housing ASM (40 Degree Grommet)				
⑫	590535	1	Rope-Starter (98In X 9/64In Diameter)				
⑬	590701	1	Handle-Starter				

Attachments and Accessories

For 10671 - Insight Lawn Mower

Product Name	Model/Part
Lawn Boy Paint	110-8800
Height-Of-Cut Kit	110-8801
Loose Parts Kit	112-1530
Replacement Bag	89815
Rear Bag Kit	89913
21 Inch Blade	89914
Air Filter	89945
Spark Plug	89946

NOTES

NOTES

