

# LAWN-BOY®

## Silver Series® Lawnmower

Model No. 10361—22000001 and Up

### Parts Catalog

---

#### Ordering Replacement Parts

To order replacement parts, please supply: the part number, the quantity, and the description of each part desired.

#### Understanding Reference Numbers

Each identified part in an illustration has a reference number. The reference number for a part also appears in the parts list, along with other information about the part.

This catalog uses two special reference number formats, one to indicate parts in a service assembly and another to indicate the quantity of a given part in an illustration.

#### Service Assembly Reference Numbers

Parts in service assemblies have reference numbers in the form **a:b**. The **a** represents the reference number of the entire service assembly and the **b** represents a sequential number unique to each part within the service assembly.

For example, a wheel assembly might be identified by reference number **6**, the tire by **6:1**, the valve by **6:2**, and the wheel by **6:3**. When you order the assembly identified by reference number **6**, you receive all parts identified by reference numbers **6:1**, **6:2**, and **6:3**. However, you may also order any part individually.

Reference numbers of this type appear in illustrations and in part lists.

#### Reference Numbers Indicating Quantity

In an illustration, if a reference number indicates more than one part, the reference number has the form **nX y**. The **n** represents the quantity of the part, the **X** is the multiplication symbol, and the **y** represents the reference number.

For example, in an illustration, the reference number **2X 37** means that two of the parts identified by reference number **37** are indicated.

## Contents

Description	Page	Description	Page
Housing, Handle Bracket and Wheel Assembly	3	Carburetor Assembly No. 640303	9
Gear Case Assembly No. 104-7671	4	Engine Assembly – LEV120-361546B	10
Rear Axle Assembly	5	Engine Assembly – LEV120-361546B	11
Engine and Blade Assembly	6	Electric Starter Assembly No. 35709	13
Handle and Control Assembly	7	Recoil Starter Assembly No. 590737	14
Battery and Harness Assembly	8	Recoil Starter Assembly No. 590694 (Optional)	15

## Accessories

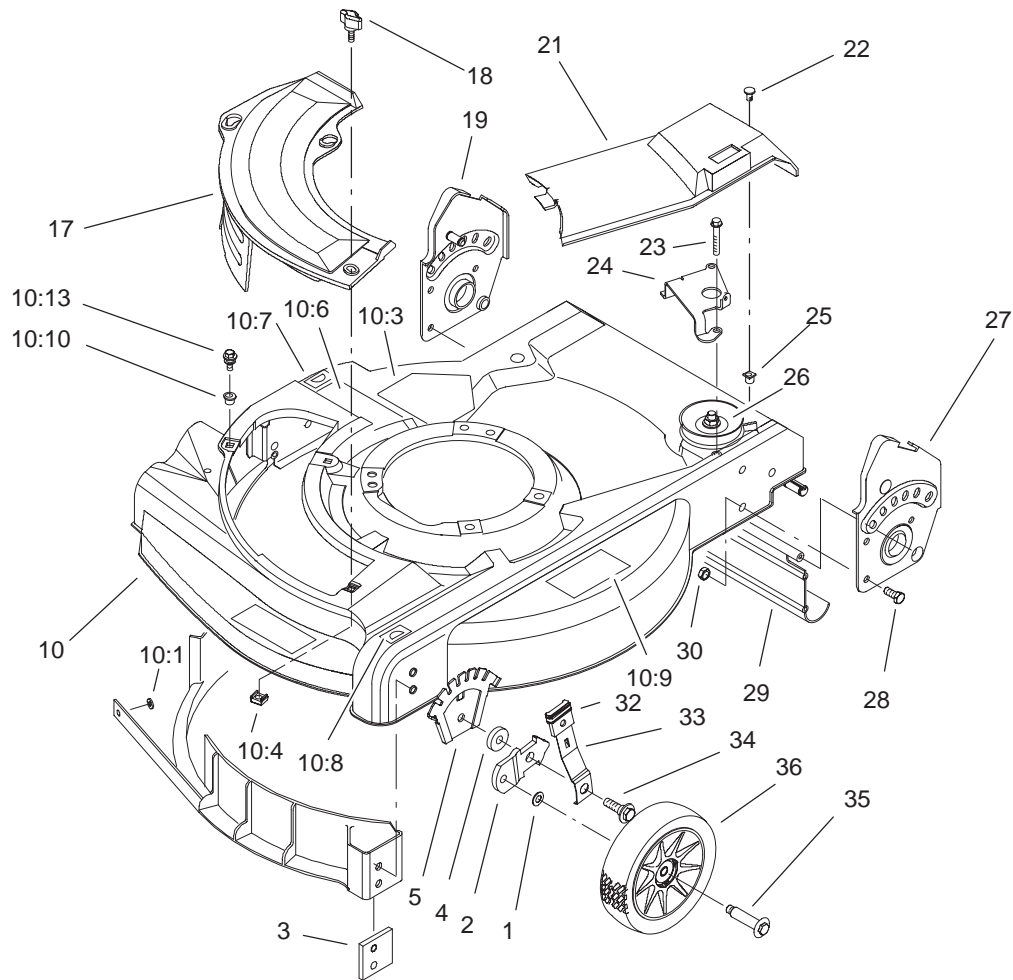
Description	Model / Part No.	Description	Model / Part No.
Side Bagging Kit	89817	Leaf Shredder Kit	89860
Rear Bagging Kit	89906	Leaf Bag Kit with Chute	89811
Leaf Bag	89804		

## Part Description Abbreviations

Part descriptions in this catalog may include the following abbreviations.

Abbreviation	Meaning	Abbreviation	Meaning
AR	as required	INC	incorporated
ASM	assembly	LH	left hand
CARR	carriage	NI	nylon insert
DEG	degrees	PPH	Phillips pan head
FH	flat head	PTH	Phillips truss head
GA	gauge	PTO	power take off
HF	hex flange	RH	right hand
HH	hex head	SFH	slotted fillister head
HHF	hex head flange	SHH	slotted hex head
HLH	hex lag head	SQH	square head
HJ	hex jam	SHWH	slotted hex washer head
HOC	height-of-cut	SPH	slotted pan head
HS	hex socket	SRH	slotted round head
HSBH	hex socket button head	STD	standard
HSFH	hex socket flat head	TAP	self tapping
HSH	hex socket head	TTH	Torx truss head
HWH	hex washer head	WH	wing head
HWHTF	hex washer head thread forming		

PROTOTYPE

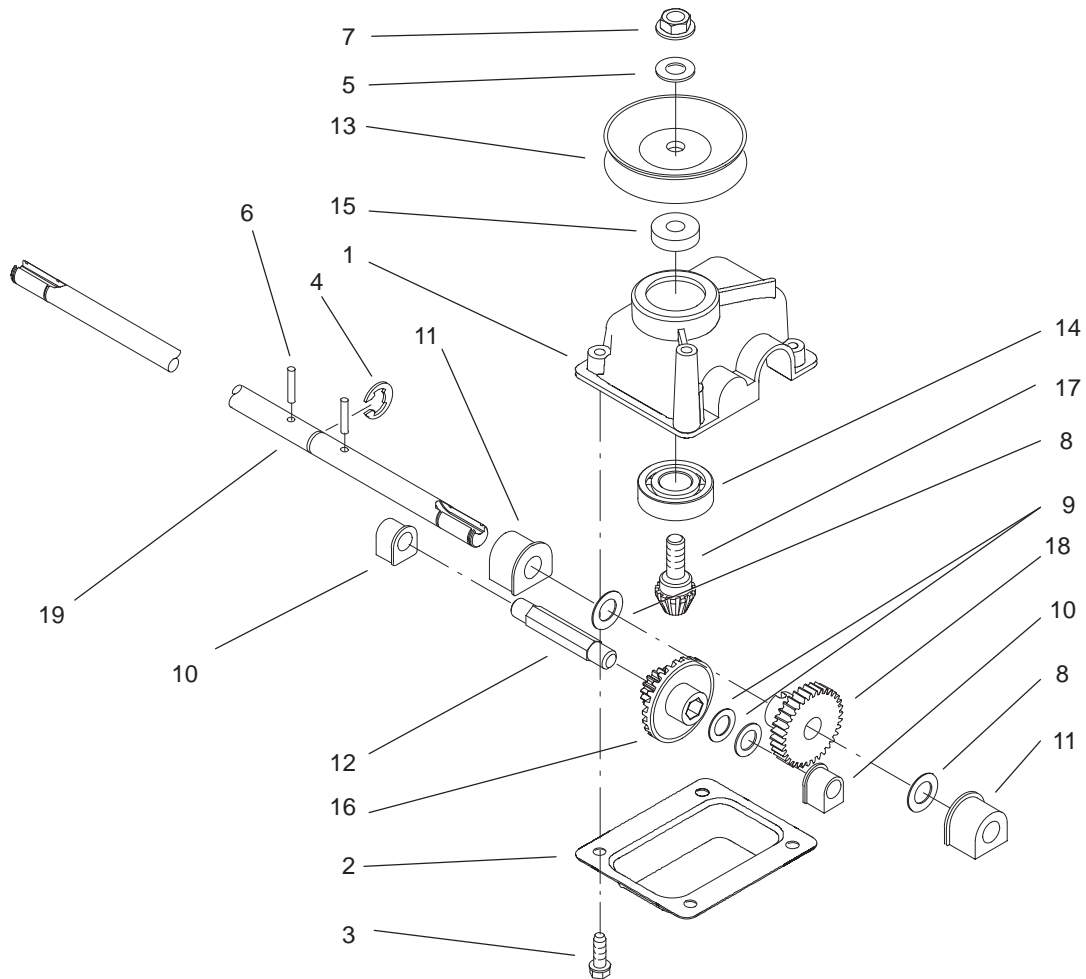


Sheet No.:2

## Housing, Handle Bracket and Wheel Assembly

Ref. No.	Part No.	Qty.	Description	Ref. No.	Part No.	Qty.	Description
1	40-1940	2	Washer	27	105-8604	1	LH Bracket ASM
2	95-7403-03	2	Bracket-Height Adjustment, Wheel	28	322-3	6	Screw-HH
3	92-7731	2	Plate-Baffle	29	92-8647	1	Shield-Trailing
4	92-4890	2	Washer-Wheel	30	3296-29	6	Nut-Lock, NI
5	92-4881-03	2	Plate-Height, Adjustment	32	92-1008	2	Knob-Lever, Height Adjustment
10	98-4477	1	Deck ASM	33	614687	2	Arm-Front Spring
10:1	3269-26	1	Washer-Flat	34	614672	2	Bolt-Shoulder
10:3	43-8480	1	Decal-Danger	35	92-1099	2	Bolt-Shoulder
10:4	613765	1	Nut-Cage	36	684776	2	Wheel & Tire ASM
10:6	99-6018	1	Decal-Warning	*99	95-7052	1	Plate-Opening, Chute
10:7	92-2914	1	Decal-HOC, RH				
10:8	92-2915	1	Decal-HOC, LH				
10:9	93-7250	1	Decal-Warning				
10:10	94-1610	2	Grommet-Plastic				
10:13	614677	2	Screw-Sems				
17	92-8630	1	Plate-Mulch				
18	98-8332	1	Knob				
19	105-8602	1	Bracket ASM-Right				
21	95-7068	1	Cover-Drive				
22	92-9665	1	Screw				
23	65-5221	2	Screw-HWHTF				
24	92-7728-03	1	Guide-Transmission				
25	605120	1	Grommet				
26	104-7671	1	Gear Case ASM				

\* Not illustrated



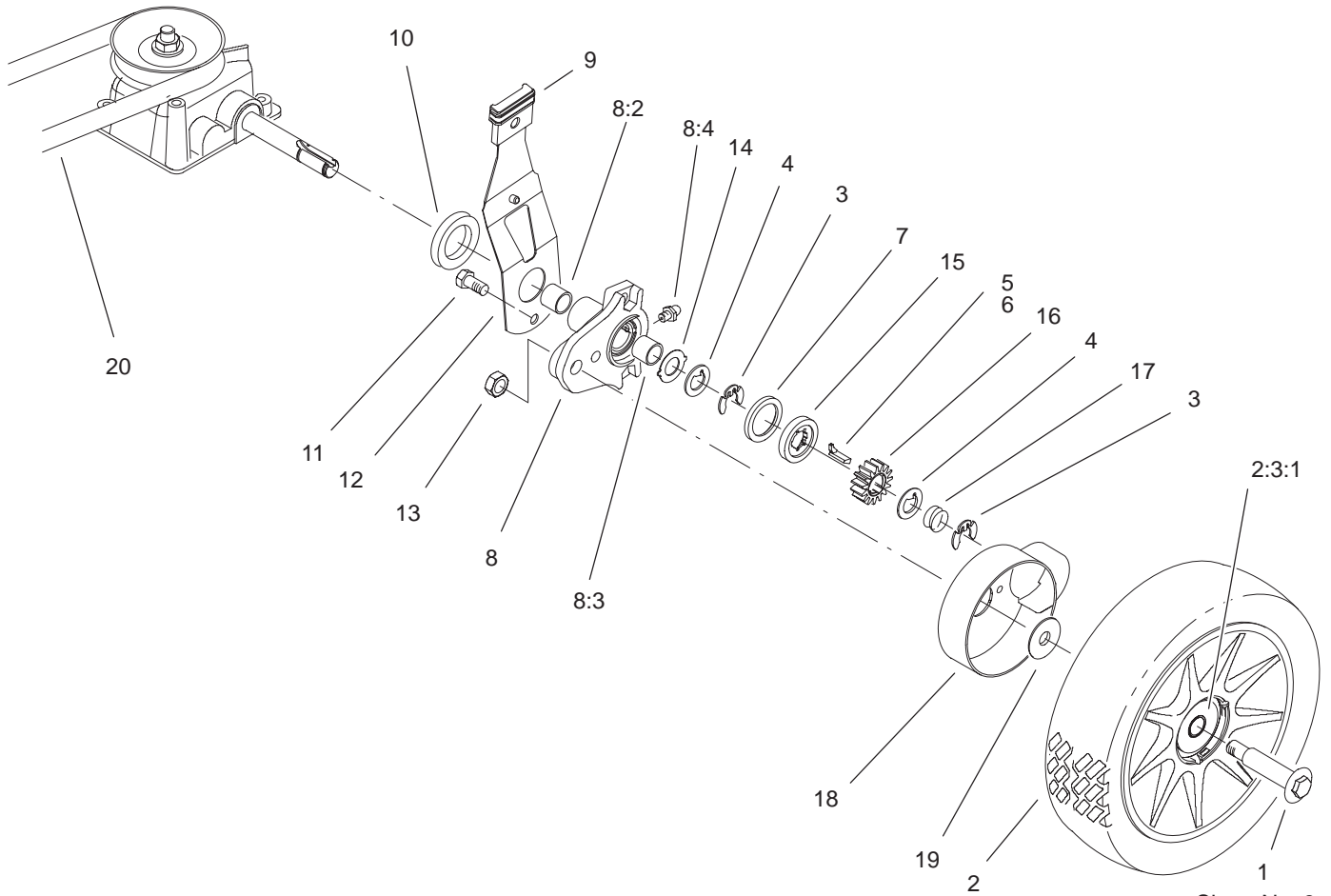
Sheet No.:A1

### Gear Case Assembly No. 104-7671

Ref. No.	Part No.	Qty.	Description
1	104-7619	1	Case-Gear
2	614668-03	1	Cover-Case, Gear
3	32144-4	4	Screw-HWH
4	32151-68	1	Ring-Retaining
5	3256-24	1	Washer-Flat
6	3285-19	2	Pin-Groove
7	3296-5	1	Nut-Lock, NI
8	36-4780	2	Washer
9	36-4791	2	Washer-Thrust
10	60-8750	2	Bushing
11	60-8850	2	Bushing-Output
12	614696	1	Shaft-Intermediate
13	614669	2	Half-Pulley
14	100-1048	1	Bearing-Ball
15	62-6660	1	Spacer
16	104-7668	1	Gear-15t Spur, 37t Bevel
17	104-7667	1	Gear-Pinion, Bevel
18	614596	1	Gear
19	104-7670	1	Shaft-Output

Ref. No.	Part No.	Qty.	Description

PROTOTYPE



Sheet No.:3

## Rear Axle Assembly

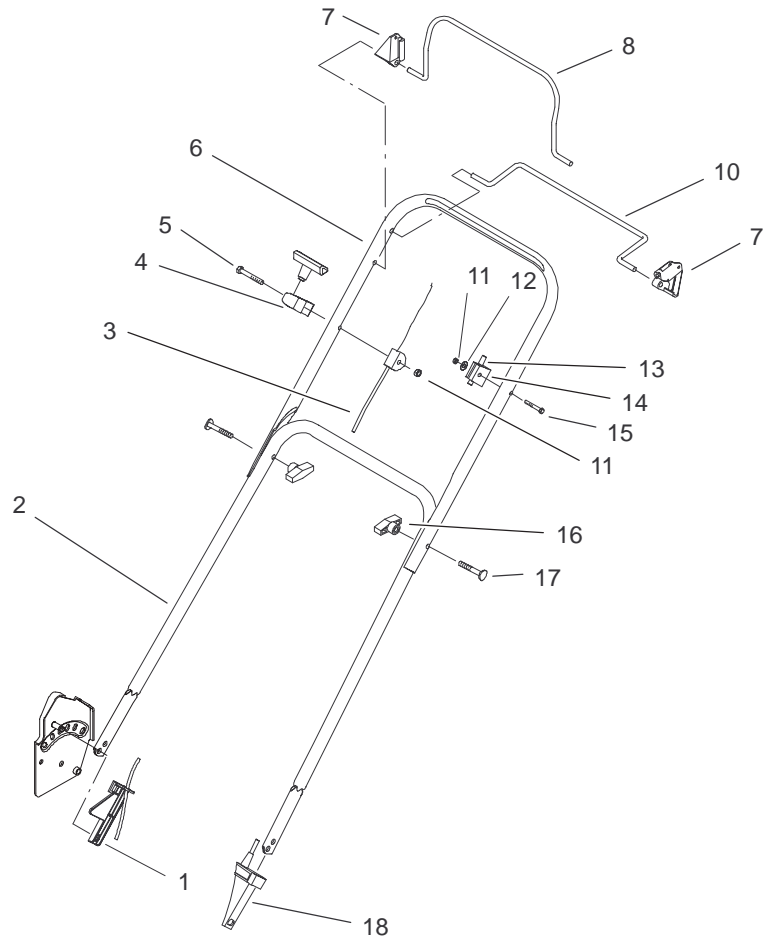
Ref. No.	Part No.	Qty.	Description
1	92-1057	2	Bolt-Shoulder
2	92-1042	2	Wheel & Tire ASM
☆2:3		1	Wheel & Tire ASM
2:3:1	27-6250	2	Bushing
3	65-2720	4	Ring-Klip
4	65-4740	4	Washer-Thrust, Keyed
5	66-6050	1	Key-Rocking, LH
*6	66-6040	1	Key-Rocking, RH
7	65-4710	2	Ring-Friction
8	92-7746	2	Rear Height Adjustment Arm ASM
8:2	70-9760	1	Bushing
8:3	47-2900	1	Bushing
8:4	302-56	1	Fitting-Zerk
9	92-1008	2	Knob-Lever, Height Adjustment
10	614447	2	Spacer-Axle Shaft
11	32144-85	2	Screw-HH
12	92-1004	2	Rear Spring Arm ASM
13	603773	2	Nut
14	65-4730	2	Washer-Arm, Pivot
15	65-4760	2	Washer-Clutch
16	65-4750	2	Gear-Pinion
17	65-4720	2	Spring-Compression
18	94-1609	2	Cover-Wheel

Ref. No.	Part No.	Qty.	Description
19	614426	2	Washer-Stepped
20	93-7381	1	V-Belt

☆ Not serviced separately

\* Not illustrated



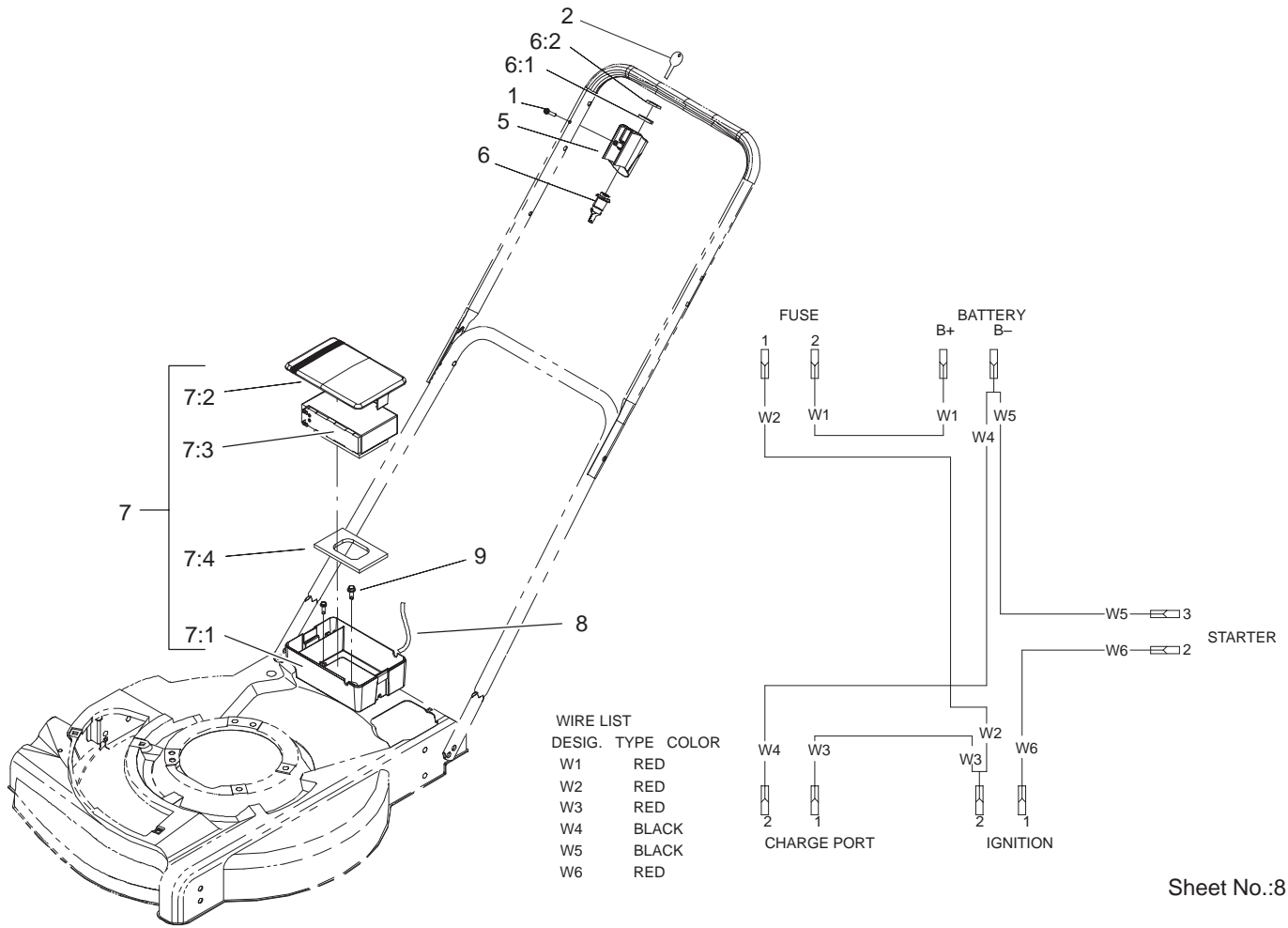


Sheet No.:7

## Handle and Control Assembly

Ref. No.	Part No.	Qty.	Description
1	104-1013	1	Guard-Cable
2	614643-05	1	Handle-Lower
3	100-5989	1	Brake Cable ASM
4	93-7383	1	Guide-Rope
5	321-50	1	Screw-HH
6	100-1045-05	1	Handle-Upper
7	92-5412	2	Stop-Pivot
8	93-4184-03	1	Bail-Brake
10	92-1001-03	1	Bail-Control
11	3296-73	2	Nut-Lock, NI
12	3256-1	1	Washer-Flat
13	100-5982	1	Cable-Ground Speed
14	92-7729	1	Anchor-Upper, Cable
15	92-2266	1	Screw-Handle
16	98-7134	2	Knob-Handle
17	614697	2	Screw
18	93-7380	1	Anchor-Cable

Ref. No.	Part No.	Qty.	Description



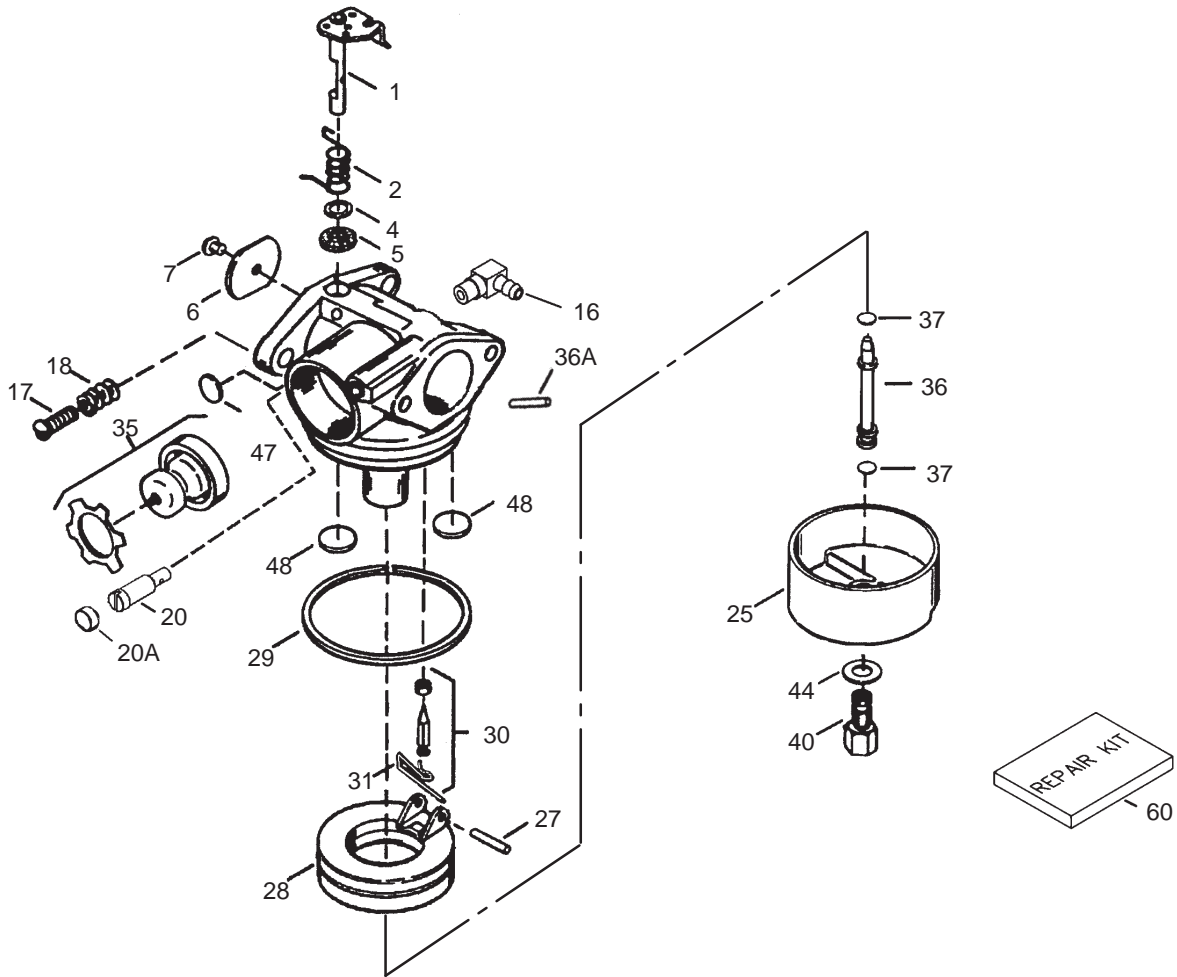
Sheet No.:8

## Battery and Harness Assembly

Ref. No.	Part No.	Qty.	Description
1	32144-97	1	Screw-Plastite
2	98-4486	1	Key-Ignition
5	100-1046	1	Mount-Switch
6	46-5780	1	Switch-Starter
6:1	3254-5	1	Washer-Lock, Internal
6:2	218-461	1	Nut-HH
7	105-6845	1	Battery ASM
7:1	105-6843	1	Box-Battery
7:2	105-6844	1	Cover-Battery
7:3	104-7903	1	Battery-12V
8	100-1038	1	Harness-Wire
9	104-7649	2	Screw-Tek
*99	104-7401	1	Charger-12 Volt
*99	104-7953	1	Decal-Harness
*99	99-6124	2	Fuse-40 Amp

Ref. No.	Part No.	Qty.	Description
PROTOTYPE			

\* Not illustrated



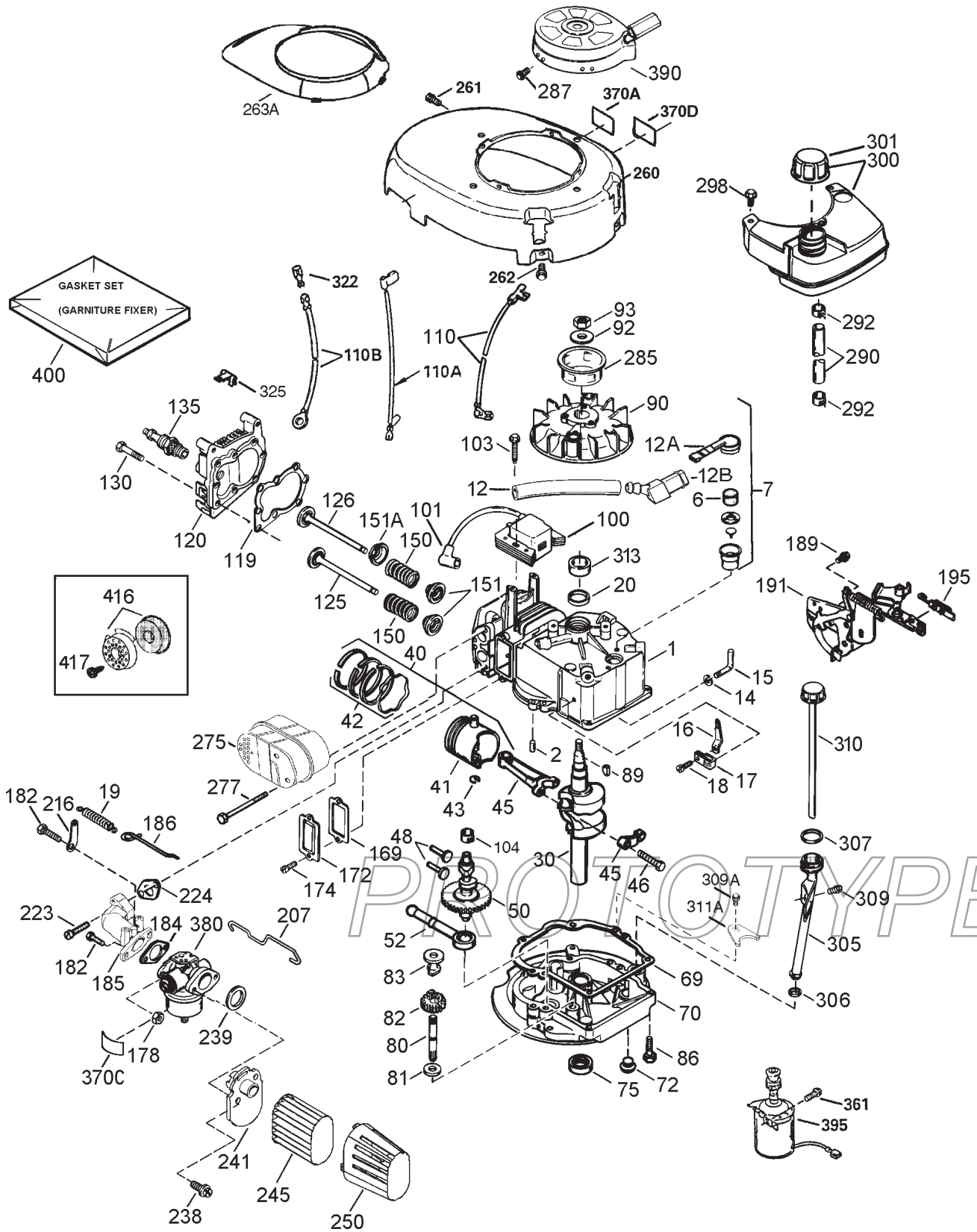
## Carburetor Assembly No. 640303

Ref. No.	Part No.	Qty.	Description
1	631615	1	Throttle Shaft & Lever Assembly
2	631767	1	Throttle Return Spring
4	631184	1	Dust Seal Washer
5	631183	1	Dust Seal
6	640070	1	Throttle Shutter
7	650506	1	Shutter Screw
16	631807	1	Fuel Fitting
17	651025	1	Throttle Crank Screw/Idle Speed Screw
18	630766	1	Tension Spring
20	640018	1	Idle Restrictor Screw
20A	640200	1	Idle Restrictor Screw Cap
25	632808	1	Float Bowl
27	631024	1	Float Shaft
28	632802	1	Float (Plastic)
29	631028	1	Float Bowl O-Ring
30	632807	1	Inlet Needle, Seat, & Clip (Incl. 31)
31	631022	1	Spring Clip
35	640259	1	Primer Bulb (Red) /Retainer Ring
36	640019	1	Main Nozzle Tube
36A	632766	1	Bowl Vent Tube

Ref. No.	Part No.	Qty.	Description
37	632547	2	Extension O-Ring, Main Nozzle Tube
40	640087	1	High Speed Bowl Nut
44	27110A	1	Bowl Nut Washer
47	630748	1	Welch Plug, Idle Mixture Well
48	631027	2	Welch Plug, Atmospheric Vent
60	632809	1	Repair kit

Obtain parts from Tecumseh

# Engine Assembly – LEV120-361546B



# Engine Assembly – LEV120-361546B

Ref. No.	Part No.	Qty.	Description	Ref. No.	Part No.	Qty.	Description
1	37465	1	Cylinder (Incl. 2, 20 & 150)	125	36780	1	Exhaust Valve (1/32" OS) (Incl. 151)
2	26727	2	Dowel Pin	125	37288	1	Exhaust Valve (Std.) (Incl. 151)
6	33734	1	Breather Element	126	37289	1	Intake Valve (Std.) (Incl. 151 & 151A)
7	36557	1	Breather Ass'y. (Incl. 6 & 12A)	130	6021A	8	Screw, 5/16-18x1-7/16"
12	36775	1	Breather Tube	135	35395	1	Resistor Spark Plug (RJ19LM)
12A	36558	1	Breather Cover & Tube (Incl. 12B)	150	31672	2	Valve Spring
12B	36694	1	Breather Tube Elbow	151	31673	2	Valve Spring Cap
14	28277	1	Washer	151A	40017	1	Intake Valve Seal
15	30589	1	Governor Rod (Incl. 14)	169	36783	1	Valve Cover Gasket
16	34839A	1	Governor Lever	172	36784	1	Valve Cover
17	31335	1	Governor Lever Clamp	174	30200	2	Screw, 10-24 x 9/16"
18	651018	1	Screw, T-15, 8-32 x 19/64"	178	29752	2	Nut & Lock Washer, 1/4-28
19	36281	1	Extension Spring	182	6201	2	Screw, 1/4-28 x 7/8"
20	32600	1	Oil Seal	184	26756	1	Carburetor To Intake Pipe Gasket
30	37624	1	Crankshaft	185	37466	1	Intake Pipe
40	40027	1	Piston, Pin & Ring Set (Std.)	186	32653	1	Governor Link
41	40042	1	Piston & Pin Ass'y. (Std.) (Incl. 43)	189	650839	2	Screw, 1/4-20 x 27/64"
42	40006	1	Ring Set (Std.)	191	36559A	1	S.E. Brake Bracket (Incl. 195)
43	20381	2	Piston Pin Retaining Ring	195	610973	1	Terminal
45	36777	1	Connecting Rod Ass'y. (Incl. 46)	207	34336	1	Throttle Link
46	32610A	2	Connecting Rod Bolt	216	33086	1	R.P.M. Adjusting Lever
48	27241	2	Valve Lifter	223	650451	2	Screw, 1/4-20 x 1"
50	37460	1	Camshaft (Exhaust) (MCR)(Incl. 104)	224	36786	1	Intake Pipe Gasket
52	29914	1	Oil Pump Ass'y.	238	650932	2	Screw, 10-32 x 49/64"
69	37609	1	Mounting Flange Gasket	239	34338	1	Air Cleaner Gasket
70	37608	1	Mounting Flange (Incl. 72 thru 83)	241	35797	1	Air Cleaner Collar
72	37614	1	Oil Drain Plug	245	35066	1	Air Cleaner Filter
75	27897	1	Oil Seal	250	35986	1	Air Cleaner Cover
80	30574A	1	Governor Shaft	260	37725	1	Blower Housing
81	30590A	1	Washer	261	30200	2	Screw, 10-24 x 9/16"
82	30591	1	Governor Gear Ass'y. (Incl. 81)	262	650831	2	Screw, 1/4-20 x 1/2"
83	30588A	1	Governor Spool	263A	36758	1	Starter Grille
86	650488	6	Screw, 1/4-20 x 1-1/4"	275	37498	1	Muffler
89	611004	1	Flywheel Key	277	650988	2	Screw, 1/4-20 x 2-9/32"
90	611044	1	Flywheel	285	35000A	1	Starter Cup
92	650815	1	Belleville Washer	287	650926	2	Screw, 8-32 x 21/64"
93	650816	1	Flywheel Nut	290	34357	1	Fuel Line (6.75")
100	34443C	1	Solid State Ignition	292	26460	2	Fuel Line Clamp
101	610118	1	Spark Plug Cover	298	28763	2	Screw, 10-32 x 35/64"
103	651007	2	Screw, T-15, 10-24 x 15/16"	300	36757	1	Fuel Tank (Incl. 292 & 301)
104	37480	1	Cam Bushing	301	36246	1	Fuel Cap Ass'y
110	37047	1	Ground Wire	305	35577A	1	Oil Fill Tube (Incl. 306)
110A	36954	1	Ground Wire	306	37610	1	"O"-Ring
110B	36953	1	Ground Wire	307	35499	1	"O"-Ring
119	36787	1	Cylinder Head Gasket	309	650562	1	Screw, 10-32 x 1/2"
120	36825	1	Cylinder Head	309A	650783	1	Screw, 10-24 x 3/4"
				310	36801	1	Dipstick
				311A	37611	1	Hold Down Bracket

Obtain parts from Tecumseh

## Engine Assembly – LEV120–361546B (continued)

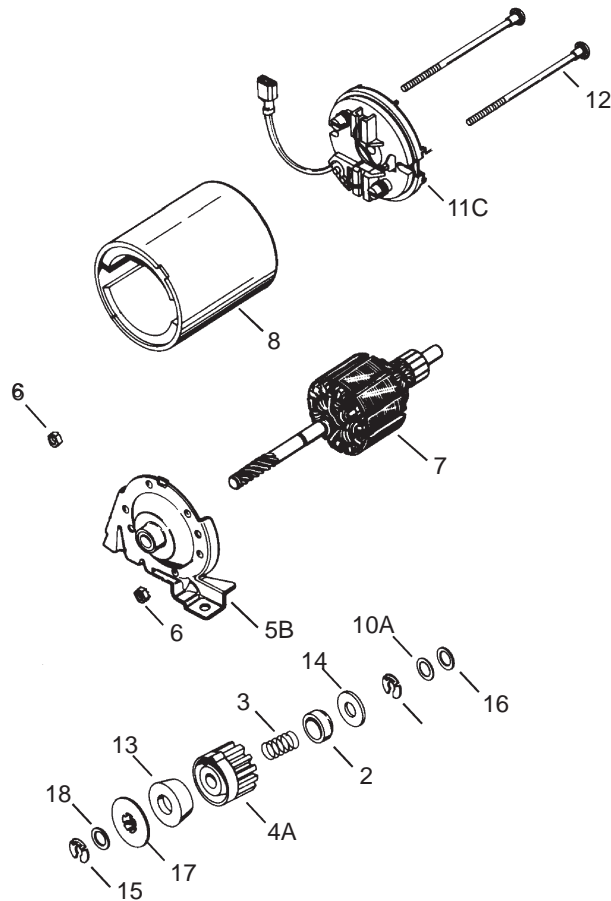
Ref. No.	Part No.	Qty.	Description
313	34080	1	Spacer
322	35013	1	Connector Body
325	35249	1	Wire Clip
361	650831	2	Screw, 1/4–20 x 1/2"
370A	36261	1	Lubrication Decal
370C	37318	1	Primer Decal (3X)
370D	35977	1	Caution Decal
380	640303	1	Carburetor (Incl. 184)
390	590737	1	Rewind Starter (NOTE: This engine could have been built with 590694 starter.)
395	35709	1	Electric Starter Motor (12 Volt)
400	37613	1	Gasket Set (Incl. Items Marked PK in Notes)
416	36085	1	Spark Arrestor Kit (Incl. 417)(Optional)
417	650760	1	Screw, 8–32 x 3/8" (Optional)

Ref. No.	Part No.	Qty.	Description

PROTOTYPE

Obtain parts from Tecumseh

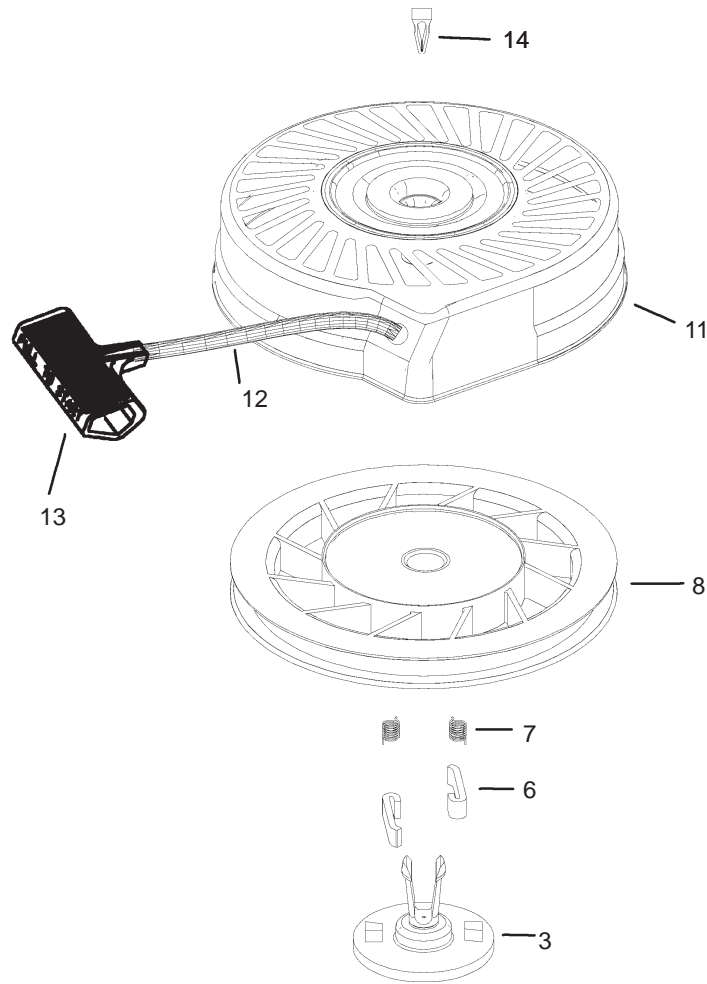
\* Not illustrated



### Electric Starter Assembly No. 35709

Ref. No.	Part No.	Qty.	Description	Ref. No.	Part No.	Qty.	Description
1	39955	1	Retainer Ring				
2	34950	1	Spring Retainer				
3	34954	1	Spring				
4A	34949A	1	Gear				
5B	34953	1	Drive End Cap ASM				
6	33450	2	Lock Nut				
7	34944	1	Armature				
8	34945		Housing ASM				
10A	590500	1	Thrust Washer				
11C	35714	1	Commutator End Cap ASM (Incl. Brushes)				
12	34947	2	Bolt				
13	34946	1	Pinion Driver				
14	590760	1	Cup Washer				
15	34952	1	Retainer Ring				
16	34948	1	Washer				
17	34953	1	Drive Nut				
18	590608	1	Washer				

Obtain parts from Tecumseh



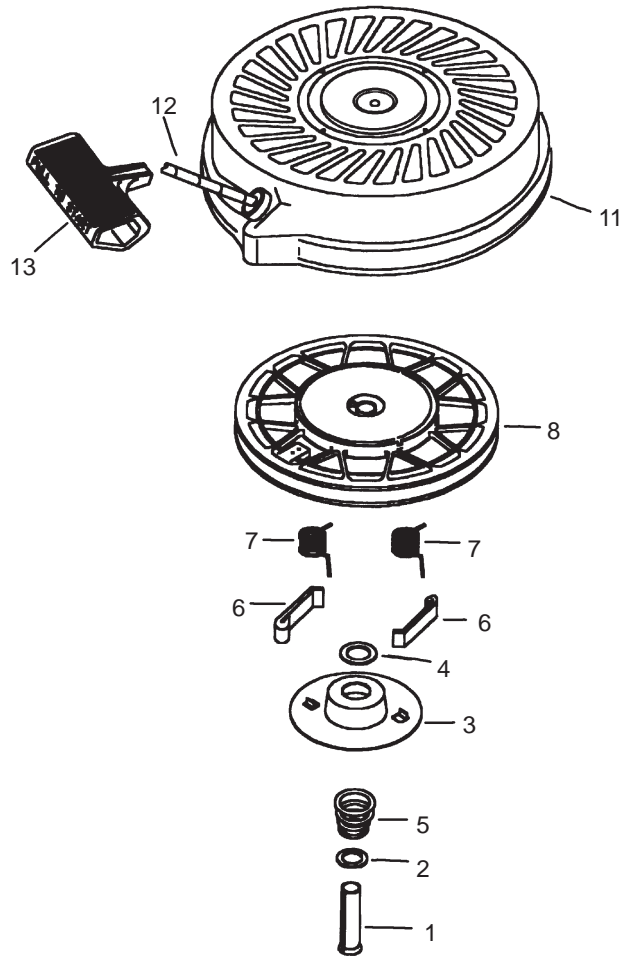
### Recoil Starter Assembly No. 590737

Ref. No.	Part No.	Qty.	Description
3	590740	1	Retainer
6	590616	2	Starter Dog
7	590617	2	Dog Spring
8	590618A	1	Pulley & Rewind Spring ASM
11	590687A	1	Starter Housing ASM (40 degree grommet)
12	590535	1	Starter Rope (Length 98" x 9/64" dia.)
13	590701	1	Starter Handle
14	590760	1	Spring Clip

Ref. No.	Part No.	Qty.	Description

PROTOTYPE

Obtain parts from Tecumseh



### Recoil Starter Assembly No. 590694 (Optional)

Ref. No.	Part No.	Qty.	Description	Ref. No.	Part No.	Qty.	Description
1	590599A	1	Spring Pin (Incl. 4)				
2	590600	1	Washer				
3	590696	1	Retainer				
4	590601	2	Washer				
5	590697	1	Brake Spring				
6	590698	2	Starter Dog				
7	590699	2	Dog Spring				
8	590700	1	Pulley & Rewind Spring ASM				
11	590695	1	Starter Housing ASM (40 degree grommet)				
12	590535	1	Starter Rope ( 98" X 9/64" dia.)				
13	590701	1	Starter Handle				

Obtain parts from Tecumseh

**LAWN-BOY®**

*PROTOTYPE*