

LAWN-BOY®

Silver Pro Series™ Walk-Behind Mower Model No. 10323-20000001 and Up

Parts Catalog

Ordering Replacement Parts

To order replacement parts, please supply: the part number, the quantity, and the description of each part desired.

Understanding Reference Numbers

Each identified part in an illustration has a reference number. The reference number for a part also appears in the parts list, along with other information about the part.

This catalog uses two special reference number formats, one to indicate parts in a service assembly and another to indicate the quantity of a given part in an illustration.

Service Assembly Reference Numbers

Parts in service assemblies have reference numbers in the form **a:b**. The **a** represents the reference number of the entire service assembly and the **b** represents a sequential number unique to each part within the service assembly.

For example, a wheel assembly might be identified by reference number **6**, the tire by **6:1**, the valve by **6:2**, and the wheel by **6:3**. When you order the assembly identified by reference number **6**, you receive all parts identified by reference numbers **6:1**, **6:2**, and **6:3**. However, you may also order any part individually.

Reference numbers of this type appear in illustrations and in part lists.

Reference Numbers Indicating Quantity

In an illustration, if a reference number indicates more than one part, the reference number has the form **nX y**. The **n** represents the quantity of the part, the **X** is the multiplication symbol, and the **y** represents the reference number.

For example, in an illustration, the reference number **2X 37** means that two of the parts identified by reference number **37** are indicated.

Contents

Description	Page	Description	Page
Housing Assembly	3	Engine Assembly	8
Engine & Blade Assembly	4	Short Block Assembly	9
Rear Axle Assembly	5	Carburetor Assembly	10
Handle Assembly	6	Gear Case Assembly	11
Engine Assembly	7		

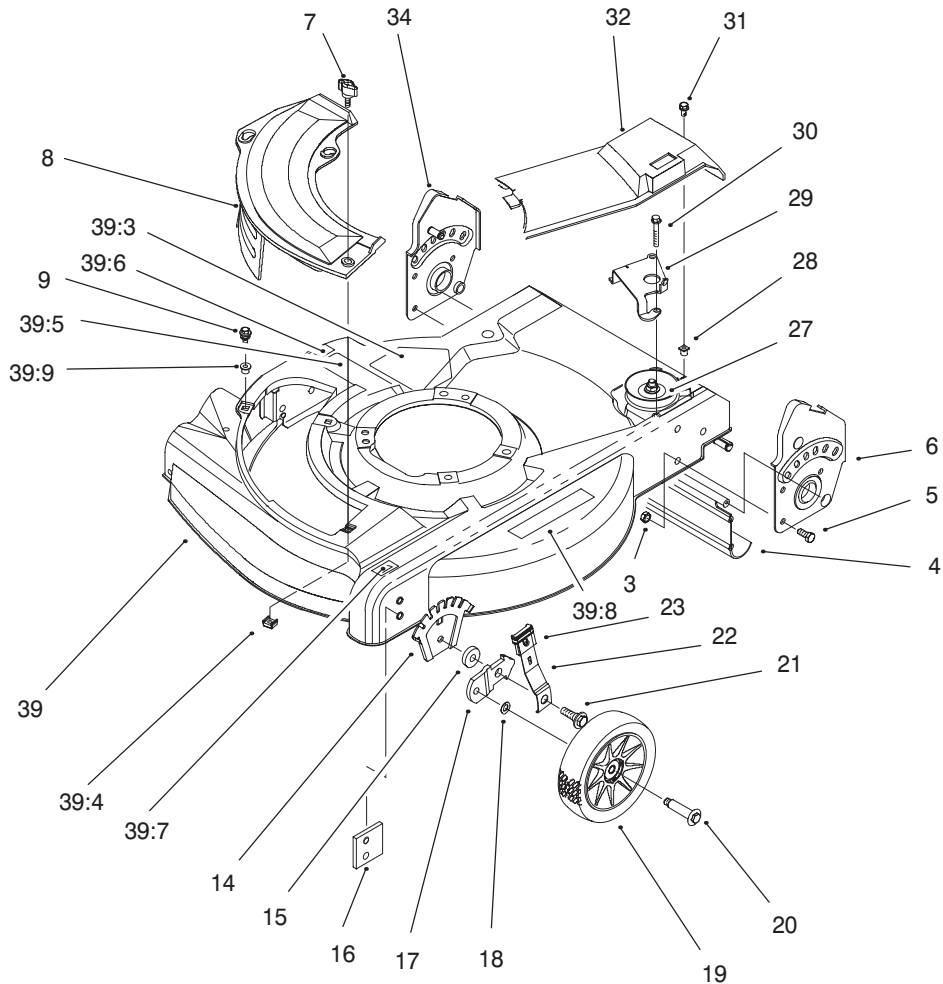
Accessories

Description	Model / Part No.	Description	Model / Part No.
Side Bagging Kit	Model No. 89817	Leaf Shredder Kit	Model No. 89860
Leaf Bag	Model No. 89804	Leaf Bag Kit w/Chute	Model No. 89811

Part Description Abbreviations

Part descriptions in this catalog may include the following abbreviations.

Abbreviation	Meaning	Abbreviation	Meaning
AR	as required	INC	incorporated
ASM	assembly	LH	left hand
CARR	carriage	NI	nylon insert
DEG	degrees	PPH	Phillips pan head
FH	flat head	PTH	Phillips truss head
GA	gauge	PTO	power take off
HF	hex flange	RH	right hand
HH	hex head	SFH	slotted fillister head
HHF	hex head flange	SHH	slotted hex head
HLH	hex lag head	SQH	square head
HJ	hex jam	SHWH	slotted hex washer head
HOC	height-of-cut	SPH	slotted pan head
HS	hex socket	SRH	slotted round head
HSBH	hex socket button head	STD	standard
HSFH	hex socket flat head	TAP	self tapping
HSH	hex socket head	TTH	Torx truss head
HWH	hex washer head	WH	wing head
HWHTF	hex washer head thread forming		

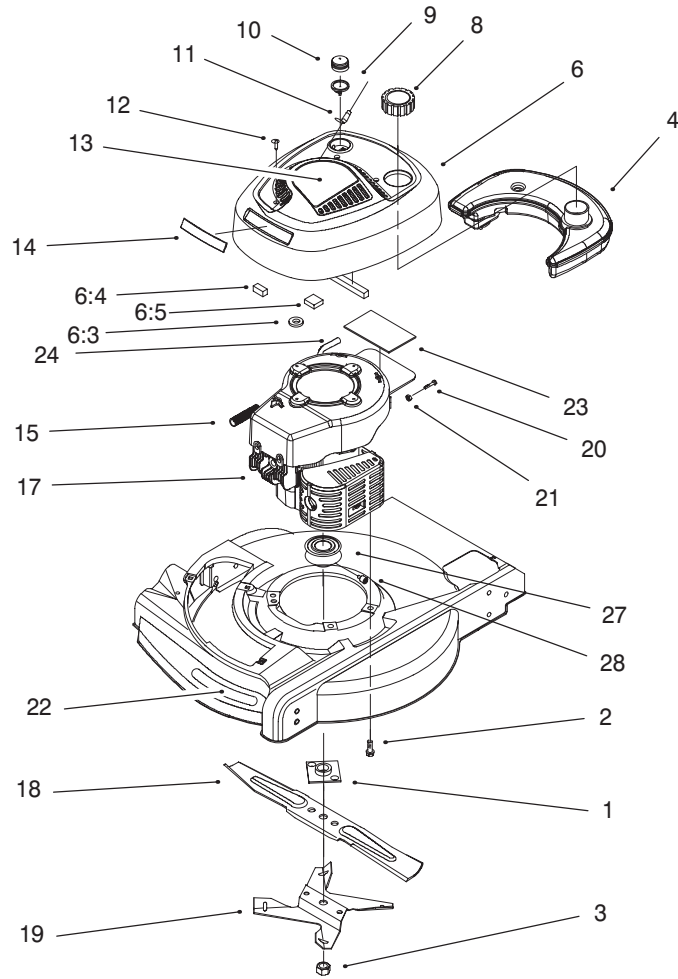


Sheet No.:2

Housing Assembly

Ref. No.	Part No.	Qty.	Description
3	3296-29	6	Nut-Lock NI
4	92-8647	1	Shield - Trailing
5	322-3	6	Screw-HH
6	92-7724	1	LH Handle Brkt ASM
7	98-8332	1	Knob
8	92-8630	1	Plate-Mulch
9	614677	2	Screw- Sems
14	92-4881-03	2	Plate - Hght Adj
15	92-4890	2	Washer - Wheel
16	92-7731	2	Plate - Baffle
17	95-7403-03	2	Bracket-Wheel Ht Adj
18	40-1940	2	Washer-Wheel Bolt
19	684776	2	6" Wheel & Tire ASM
20	92-1099	2	Bolt-Shoulder 6" Wheel
21	614672	2	Bolt-Shoulder
22	614687	2	Arm-Front Spring
23	92-1008	4	Knob-Height Adj Lever
27	95-7412	1	Assembly - Gear Case
28	605120	1	Grommet
29	95-1732-03	1	Guide-Transmission
30	65-5221	2	Screw-Thread Forming
31	92-9665	1	Screw-Pth

Ref. No.	Part No.	Qty.	Description
32	95-7413	1	Cover - Drive
34	92-7723	1	RH Handle Brkt ASM
39	98-4472	1	ASM - Housing/Baffle Sp
39:3	43-8480	1	Decal-Danger
39:4	613765	1	Nut-Cage
39:5	99-6018	1	Decal - Warning
39:6	92-2914	1	Decal - HOC R
39:7	92-2915	1	Decal - HOC L
39:8	93-7250	1	Decal-Instruction
39:9	94-1610	2	Grommet - Plastic
	95-7052	1	Plate - Chute Opening

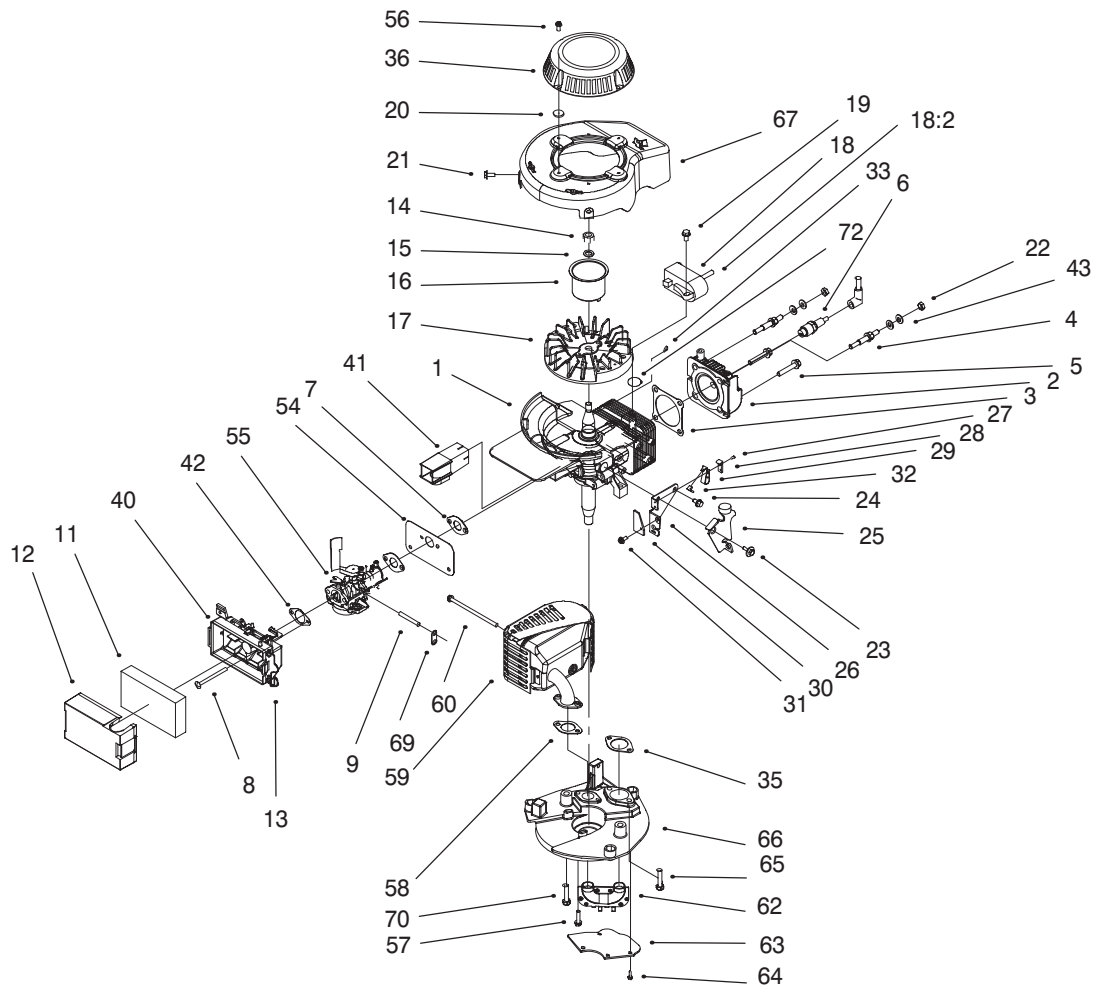


Sheet No.:3

Engine & Blade Assembly

Ref. No.	Part No.	Qty.	Description
1	677525	1	Plate & Collar ASM
2	611774	3	Screw-HH
3	603164	1	Nut-Blade
4	95-1897	1	Tank
6	100-6398	1	ASM-Shroud/Recoil Cover
6:3	613329	2	Nut-Push
6:4	99-1522	2	Strip-Foam
6:5	99-1521	1	Strip-Foam
8	98-8344	1	Assembly - Cap, Fuel/Oil
9	66-7460	1	Bulb-Primer
10	44-2750	1	Body-Primer
11	92-1701	1	Stop-Rope
12	95-7621	3	Screw-Pan Sems
13	95-7417	1	Decal - Recoil
14	92-8615	1	Applique-Shroud
15	93-4306	1	Spring - Compression
17		1	Engine Ay Sp E Silver
18	612543	1	Blade-21" Whirl
19	99-6351-03	1	Fan - Mulching
20	314576	1	Screw-Sems
21	306531	1	Nut-Hex S
22	100-6385	1	Decal-Deck
23	98-1386	1	Pad-Foam

Ref. No.	Part No.	Qty.	Description
24	612782	1	Line-Gas
27	95-1878	1	Pulley
28	104-0214	1	Screw-Set



Sheet No.:A3

Engine Assembly

Ref. No.	Part No.	Qty.	Description	Ref. No.	Part No.	Qty.	Description
1	95-7636	1	E-S/Block Ser.	26	84-7820	1	Plate-Brake Mtg
2	94-5776	1	Head-(Mach)	27	3290-459	2	Rivet-Plastic
3	94-5778	1	Gasket-Head	28	92-2925	1	Strap-Insulation
4	94-5779	2	Stud	29	60-9010	1	Strap-Ground
5	94-5780	2	Bolt - Head	30	100-2929	1	Stop-Gr Strap
6	50-1170	1	Plug-Spark	31	12-5450	1	Screw-Special
7	94-5795	2	Gasket-Intake	32	98-7037	1	Wire - Lead
8	612507	2	Screw	33	607199	1	Key
9	44-3170	1	Primer Hose	35	95-1778	1	Gasket-Exhaust
11	95-5574	1	Filter-Air	36	100-2908	1	Starter Assy Sm
12	95-5577	1	Cover-Air Filter	40	95-5588	1	Base Ay-(Air Filter)
13	610383	1	Retainer-Fil.	41	95-5578	1	Tunnel
14	130743	1	Nut	42	95-7613	1	Gasket-Filter
15	316959	1	Washer-Lock	43	3290-456	4	Washer-Belleville
16	612949	1	Hub Starter	54	98-1388	1	Shield - Carb.
17	95-1866	1	Flywheel-Machined	55	98-7042	1	Carburetor ASM With Gaskets
18	99-2916	1	Ignition-Cd	56	98-4484	4	Screw Sems
18:2	681678	1	Ht Lead&cover	57	613208	2	Screw-Cd Mtg
18:2	684698	1	Cover & Term. Ay	58	98-1392	1	Gasket
19	613208	2	Screw-Cd Mtg	59	100-9514	1	Muffler And Guard ASM
20	98-4478	4	Spacer	60	611228	1	Bolt-Console
21	321-4	2	Screw-HH	62	98-1557	1	Pipe-Transfer
22	146501	2	Nut	63	98-1591	1	Cover-Muffler
23	95-1870	1	Screw-Shoulder	64	700822	4	Screw-HH
24	95-1871	1	Screw-HWH				
25	93-4312	1	Brake Plate Ay				

