

LAWN-BOY®

Silver Series® Lawnmower

Model No. 10330—20000001 and Up

Parts Catalog

Ordering Replacement Parts

To order replacement parts, please supply: the part number, the quantity, and the description of each part desired.

Understanding Reference Numbers

Each identified part in an illustration has a reference number. The reference number for a part also appears in the parts list, along with other information about the part.

This catalog uses two special reference number formats, one to indicate parts in a service assembly and another to indicate the quantity of a given part in an illustration.

Service Assembly Reference Numbers

Parts in service assemblies have reference numbers in the form **a:b**. The **a** represents the reference number of the entire service assembly and the **b** represents a sequential number unique to each part within the service assembly.

For example, a wheel assembly might be identified by reference number **6**, the tire by **6:1**, the valve by **6:2**, and the wheel by **6:3**. When you order the assembly identified by reference number **6**, you receive all parts identified by reference numbers **6:1**, **6:2**, and **6:3**. However, you may also order any part individually.

Reference numbers of this type appear in illustrations and in part lists.

Reference Numbers Indicating Quantity

In an illustration, if a reference number indicates more than one part, the reference number has the form **nX y**. The **n** represents the quantity of the part, the **X** is the multiplication symbol, and the **y** represents the reference number.

For example, in an illustration, the reference number **2X 37** means that two of the parts identified by reference number **37** are indicated.

Contents

Description	Page	Description	Page
Mulch Plate And Wheel Assembly	3	Carburetor No. 640266	9
Housing Assembly	4	Engine-LEV100-345001D	10
Gear Case Assembly No. 92-7735	5	Engine-LEV100-345001D	11
Engine And Blade Assembly	6	Engine-LEV100-345001D	12
Rear Axle Assembly	7	Recoil Starter No. 590737	13
Handle And Controls Assembly	8	Recoil Starter No. 590694 (Optional)	14

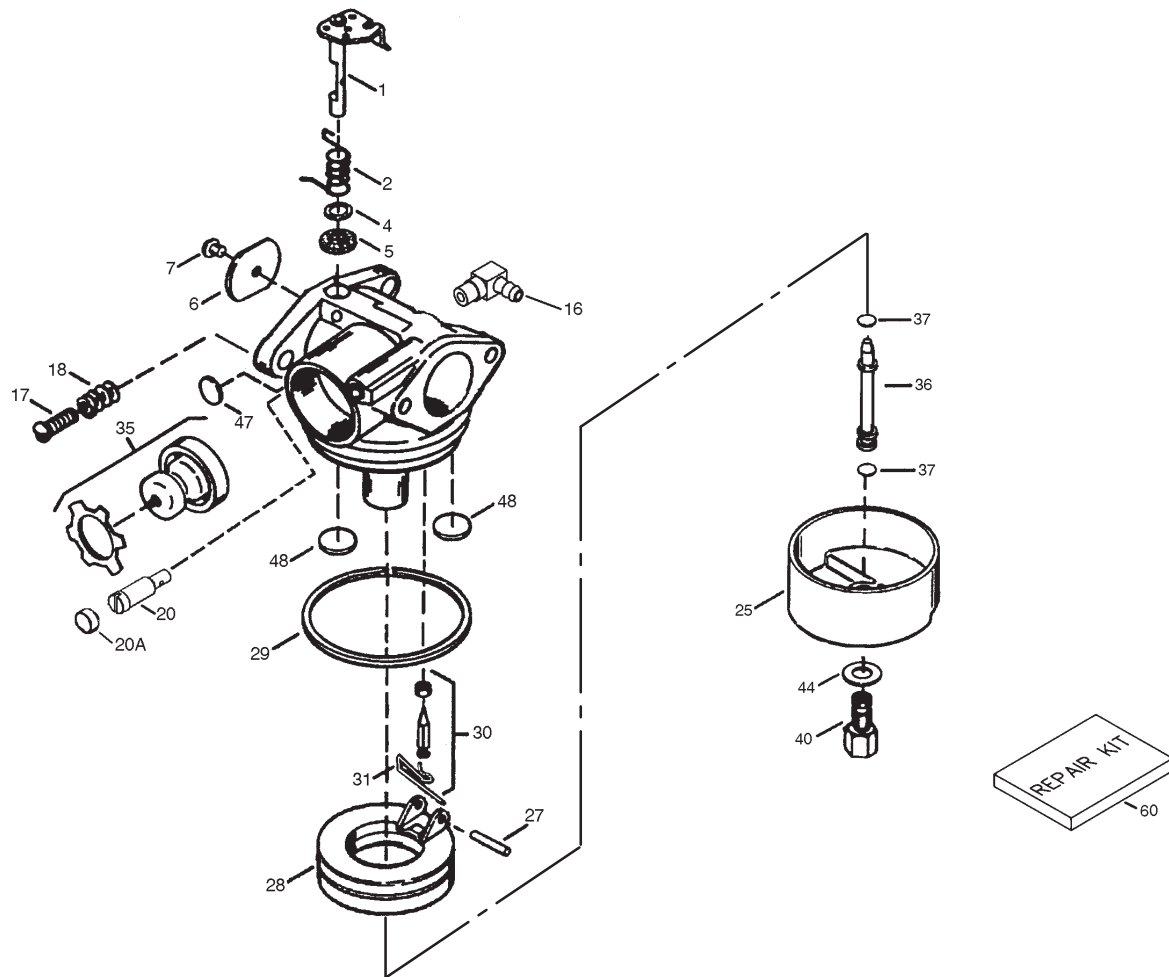
Accessories

Description	Model / Part No.	Description	Model / Part No.
Rear Bagging Kit	89800(684690)	Side Bagging Kit	89817
Leaf Bag	89804(681001)	Leaf Shredder Kit	89860
Side Bag Kit With Chute	89811		

Part Description Abbreviations

Part descriptions in this catalog may include the following abbreviations.

Abbreviation	Meaning	Abbreviation	Meaning
AR	as required	INC	incorporated
ASM	assembly	LH	left hand
CARR	carriage	NI	nylon insert
DEG	degrees	PPH	Phillips pan head
FH	flat head	PTH	Phillips truss head
GA	gauge	PTO	power take off
HF	hex flange	RH	right hand
HH	hex head	SFH	slotted fillister head
HHF	hex head flange	SHH	slotted hex head
HLH	hex lag head	SQH	square head
HJ	hex jam	SHWH	slotted hex washer head
HOC	height-of-cut	SPH	slotted pan head
HS	hex socket	SRH	slotted round head
HSBH	hex socket button head	STD	standard
HSFH	hex socket flat head	TAP	self tapping
HSH	hex socket head	TTH	Torx truss head
HWH	hex washer head	WH	wing head
HWHTF	hex washer head thread forming		



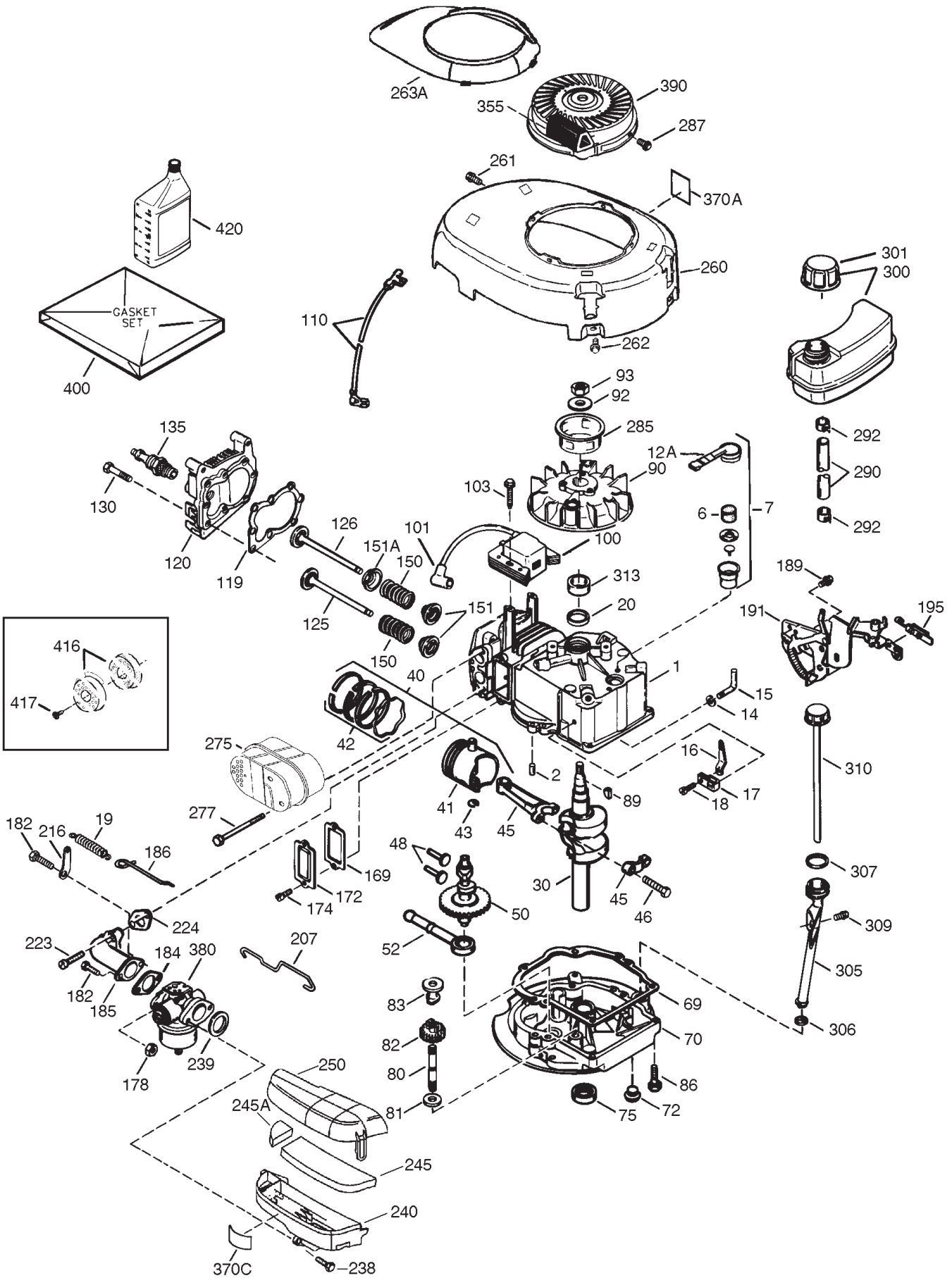
Carburetor No. 640266

Ref. No.	Part No.	Qty.	Description
0	640266	1	Carburetor
1	631615	1	Throttle Shaft & Lever Assembly
2	631767	1	Throttle Return Spring
4	631184	1	Dust Seal Washer
5	631183	1	Dust Seal (Throttle)
6	640070	1	Throttle Shutter
7	650506	1	Shutter Screw
16	631807	1	Fuel Fitting
17	651025	1	Throttle Crack Screw/Idle Speed Screw
18	630766	1	Tension Spring
20	640016	1	Idle Restrictor Screw
20A	640053	1	Idle Restrictor Screw Cap
25	631867	1	Float Bowl
27	631024	1	Float Shaft
28	632019	1	Float
29	631028	1	Float Bowl "O" Ring
30	631021	1	Inlet Needle, Seat, & Clip (Incl. 31)
31	631022	1	Spring Clip
35	640259	1	Primer Bulb/Retainer Ring
36	632735	1	Main Nozzle Tube

Ref. No.	Part No.	Qty.	Description
37	632547	2	O-Ring, Main Nozzle Tube
40	640087	1	High Speed Bowl Nut
44	27110A	1	Bowl Nut Washer
47	630748	1	Welch Plug, Idle Mixture Well
48	631027	1	Welch Plug, Atmospheric Vent
60	632760	1	Repair Kit

Obtain parts from local Tecumseh dealer

Engine-LEV100-345001D



Engine-LEV100-345001D

Ref. No.	Part No.	Qty.	Description	Ref. No.	Part No.	Qty.	Description
1	37280	1	Cylinder (Incl. 2,20 & 150)	120	36825	1	Cylinder Head
2	26727	2	Dowel Pin	125	37288	1	Exhaust Valve (Std.) (Incl. 151)
6	33734	1	Breather Element	126	37289	1	Intake Valve (Std.) (Incl. 151)
7	36557	1	Breather Body ASM (Incl. 6 & 12A)	130	6021A	8	Screw
12A	36558	1	Breather Cover & Tube	135	35395	1	Resistor Spark Plug (RJ19LM)
14	28277	1	Washer	150	31672	2	Valve Spring
15	30589	1	Governor Rod (Incl. 14)	151	31673	2	Valve Spring Cap
16	34839A	1	Governor Lever	151A	40017	1	Intake Valve Seal
17	31335	1	Governor Lever Clamp	169	36783	1	Valve Cover Gasket
18	651018	1	Screw, Torx T-15	172	36784	1	Valve Cover
19	36281	1	Extension Spring	174	30200	2	Screw
20	32600	1	Oil Seal	178	29752	2	Nut & Lock Washer
30	37124	1	Crankshaft	182	6201	2	Screw
40	35544A	1	Piston, Pin & Ring Set (Std.)	184	26756	1	Carburetor To Intake Pipe Gasket
40	35545A	1	Piston, Pin & Ring Set (.010" OS)	185	36785	1	Intake Pipe
40	35546	1	Piston, Pin & Ring Set (.020" OS)	186	32653	1	Governor Link
41	35541	1	Piston & Pin ASM (Std.) (Incl. 43)	189	650839	2	Screw
41	35542	1	Piston & Pin ASM (.010" OS) (Incl. 43)	191	36559A	1	S.E. Brake Bracket (Incl. 195)
41	35543	1	Piston & Pin ASM (.020" OS) (Incl. 43)	195	610973	1	Terminal
42	35547A	1	Ring Set (Std.)	207	34336	1	Throttle Link
42	35548A	1	Ring Set (.010" OS)	216	33086	1	R.P.M. Adjusting Lever
42	35549	1	Ring Set (.020" OS)	223	650451	2	Screw
43	20381	2	Piston Pin Retaining Ring	224	36786	1	Intake Pipe Gasket
45	36777	1	Connecting Rod ASM (Incl. 46)	238	650806	2	Screw
46	32610A	2	Connecting Rod Bolt	239	34338	1	Air Cleaner Gasket
48	27241	2	Valve Lifter	240	37115	1	Air Cleaner Body
50	37032	1	Camshaft (NCR)	245	37116	1	Air Cleaner Filter
52	29914	1	Oil Pump ASM	245A	37117	1	Air Cleaner Filter
69	35261	1	Mounting Flange Gasket	250	37118	1	Air Cleaner Cover
70	34311E	1	Mounting Flange (Incl. 72 thru 83, 306)	260	37125	1	Blower Housing
72	36083	1	Oil Drain Plug	261	30200	2	Screw
75	27897	1	Oil Seal	262	650831	2	Screw
80	30574A	1	Governor Shaft	263A	36758	1	Starter Grill
81	30590A	1	Washer	275	37462	1	Muffler
82	30591	1	Governor Gear ASM (Incl. 81)	277	650988	2	Screw
83	30588A	1	Governor Spool	285	35000A	1	Starter Cup
86	650488	6	Screw	287	650926	2	Screw
89	611004	1	Flywheel Key	290	34357	1	Fuel Line
90	611112	1	Flywheel	292	26460	2	Fuel Line Clamp
92	650815	1	Belleville Washer	300	35586	1	Fuel Tank (Incl. 292 & 301)
93	650816	1	Flywheel Nut	301	36246	1	Fuel Cap
100	34443B	1	Solid State Ignition	305	35577	1	Oil Fill Tube
101	610118	1	Spark Plug Cover	306	36996	1	"O"-Ring
103	651007	2	Screw, Torx T-15	307	35499	1	"O"-Ring
110	37047	1	Ground Wire	309	650562	1	Screw
119	37028	1	Cylinder Head Gasket	310	36801	1	Dipstick
				313	34080	1	Spacer
				355	590701	1	Starter Handle
				370A	36261	1	Lubrication Decal
				370C	37199	1	Primer Decal (3X)
				380	640266	1	Carburetor (Incl. 184)
				390	590737	1	Rewind Starter
				400	37029A	1	Gasket Set

Obtain parts from local Tecumseh dealer

Engine-LEV100-345001D

Ref. No.	Part No.	Qty.	Description
416	36085	1	Spark Arrestor Kit
417	650821	1	Screw
420	730225A	1	SAE30 4-Cycle Engine Oil (Quart)

Ref. No.	Part No.	Qty.	Description
----------	----------	------	-------------

Obtain parts from local Tecumseh dealer

LAWN-BOY®